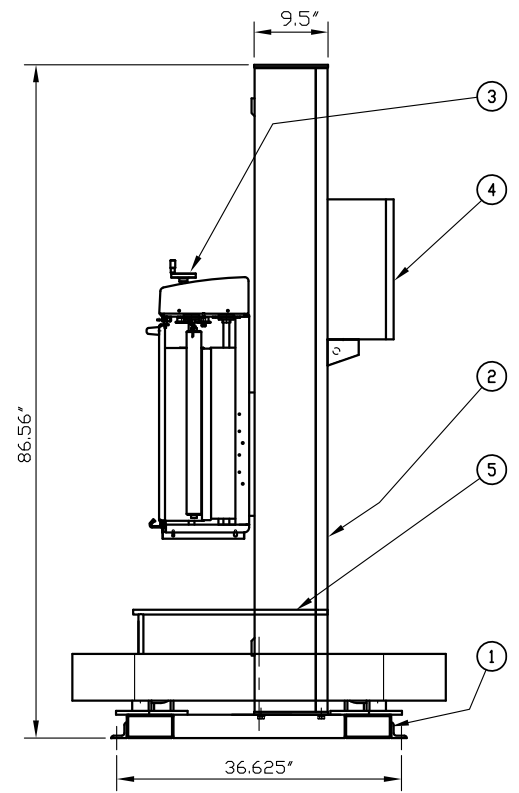
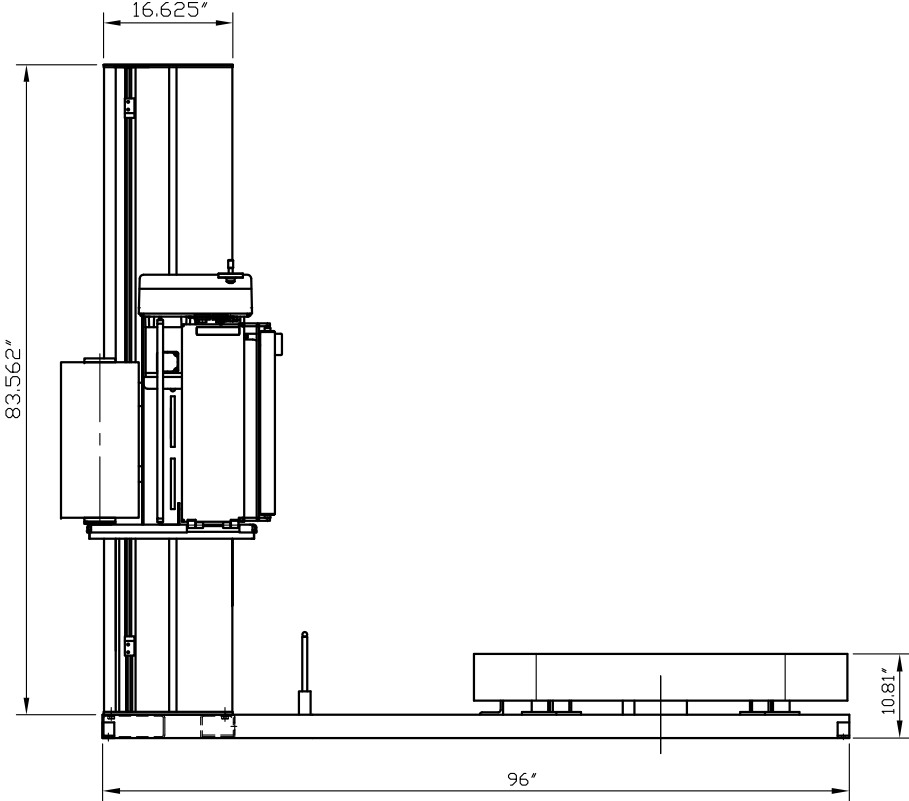
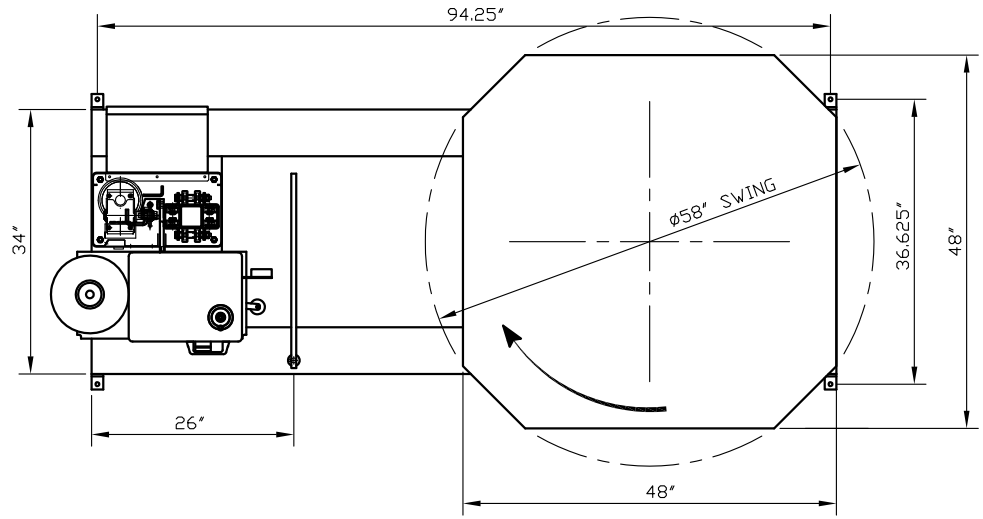


SER. No. \*

MATERIAL LIST			
ITEM	QTY.	DESCRIPTION	PART No.
1	1	HIGH PROFILE TURNTABLE BASE ASSEMBLY	G2500-064-00-RI
2	1	STANDARD TOWER ASSEMBLY (80")	G2700-052-00-RI
3	1	RAPID THREAD PRESTRETCH CARRIAGE ASS'Y	G2900-117-00-RI
4	1	CONTROL PANEL ASSEMBLY	E2100-188-ROA
5	1	FILM ROPING BAR	C2509



**COUSINS PACKAGING INC.**

2	ITEM 2 WAS REV. 0	2014-06-23	SCALE 1 : 12	TITLE NEW HP2100-SRT STRETCH WRAP MACHINE c/w STANDARD TOWER FOR 80" WRAP HEIGHT - GENERAL ARRANGEMENT		
1	IT. 3 WAS G2900-101-00	AUG26/13	DATE APRIL 20, 2012			
No.	DESCRIPTION	DATE	DRAWN BY	DRAWING NO.	SHEET	REVISION
	REVISIONS		SD	G2100-210-00	1 OF 1	2
			RMP			