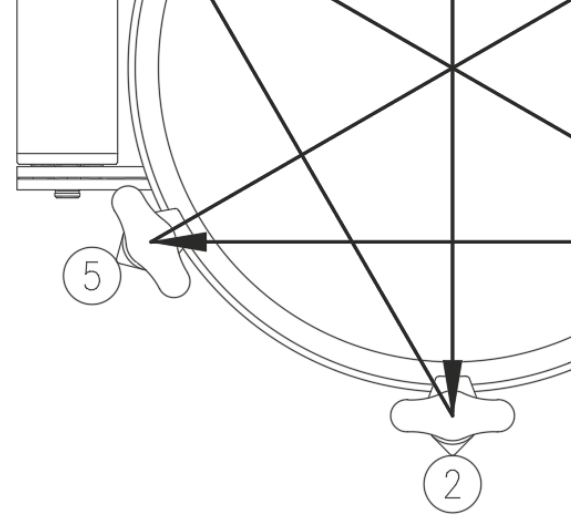


The H-Series Manway™ Recommended Torque

Holloway recommends the following torque rating for the H-Series Manways and that the clamps should be tightened in a “Star” pattern moving to the lug that is 180° from the previous clamp.



H-Series Manways

Drawing Numbers: HM0164, HM0165, HM0166, HM0167

- 50 ft-lbs. — For all Manway Sizes



Holloway America
720 N. Cedarbrook Ave.
Springfield, MO 65802

Phone: 417.863.0077
Toll Free: 866.659.0077
Fax: 417.863.8851

www.HollowayAmerica.com
info@HollowayAmerica.com
Datasheet: H-Series_200122