

# Removable Top Vessels

HOLLOWAY constructs removable top pressure vessels from 10 liters to 1,500 liters. All tanks and pressure vessels can be customized to a specific need.



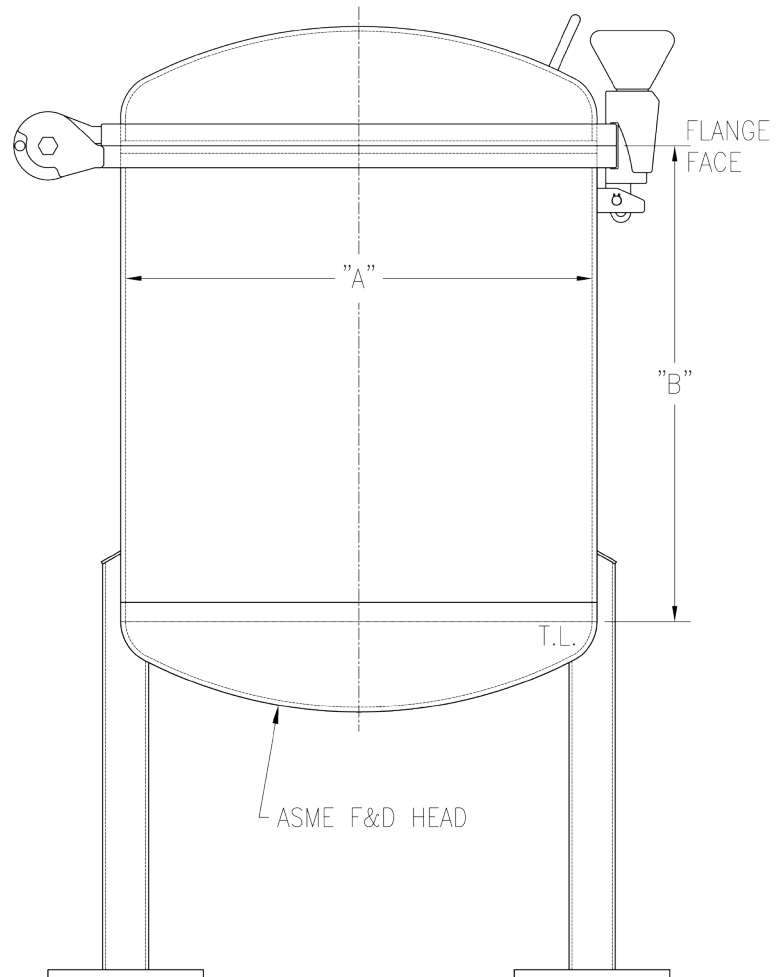
## Recommended Dimensions (Volume in Liters)

VOLUMES BASED ON APPROXIMATE 1:1 RATIO			
NOMINAL VOLUME (LITERS)	CAPACITY (LITERS)	"A" (INCHES)	"B" (INCHES)
10	14	10	10
20	25	12	12
30	40	14	14
50	59	16	16
100	119	20	21
200	228	24	28
300	344	28	31
400	466	32	32
500	566	34	34
600	687	36	37
800	916	40	40
1,000	1,126	42	45
1,500	1,691	48	52

**\*Note:** The capacity (in Liters) volume level is figured at the "Flange Face".

**\*Note:** The capacity (in Liters) is a reference and is accurate to about +/- 0.5%.

**\*Note:** The H-Series Manway™ has a maximum diameter of 48".



Holloway America  
720 N. Cedarbrook Ave.  
Springfield, MO 65802

Phone: 417.863.0077  
Toll Free: 866.659.0077  
Fax: 417.863.8851

www.HollowayAmerica.com  
info@HollowayAmerica.com  
Datasheet: REM\_VOL\_200304

# Removable Top Vessels

HOLLOWAY constructs removable top pressure vessels from 5 gallons to 400 gallons. All tanks and pressure vessels can be customized to a specific need.

## Recommended Dimensions (Volume in Gallons)

VOLUMES BASED ON APPROXIMATE 1:1 RATIO			
NOMINAL VOLUME (GALLONS)	CAPACITY (GALLONS)	"A" (INCHES)	"B" (INCHES)
5	6	12	12
10	12	14	16
25	30	20	20
50	56	24	26
100	123	32	32
150	177	36	36
200	227	38	42
250	285	42	43
300	341	44	47
400	413	47	50

**\*Note:** The capacity (in Gallons) volume level is figured at the "Flange Face".

**\*Note:** The capacity (in Gallons) is a reference and is accurate to about +/- 0.5%.

**\*Note:** The H-Series Manway™ has a maximum diameter of 48".

