

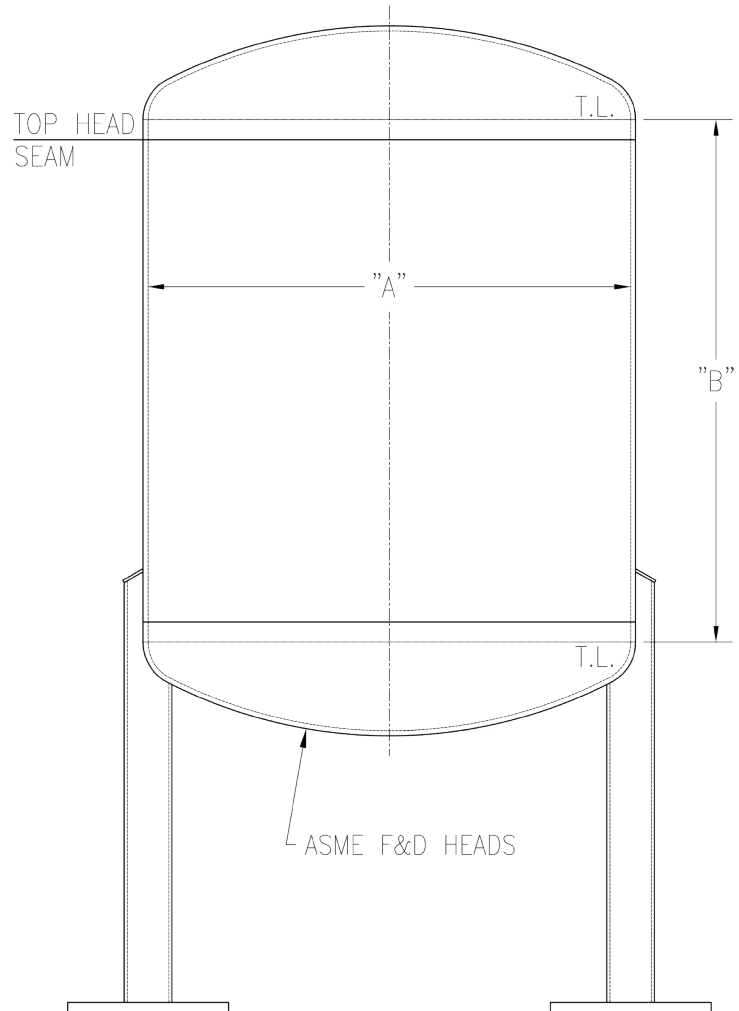
Welded Top Vessels

HOLLOWAY produces Welded Top Vessels from 10 Liters to 35,000 Liters. Contact a sales engineer to discuss customizable options.



Recommended Dimensions (Volume in Liters)

VOLUMES BASED ON APPROXIMATE 1:1 RATIO			
NOMINAL VOLUME (LITERS)	CAPACITY (LITERS)	"A" (INCHES)	"B" (INCHES)
10	13	10	10
25	27	12	13
50	56	16	16
100	114	20	21
200	221	24	28
300	334	28	31
500	551	34	34
600	670	36	37
1,000	1,103	42	45
1,500	1,661	48	52
2,000	2,214	54	54
2,500	2,783	58	59
3,000	3,342	62	62
4,000	4,436	68	68
5,000	5,705	74	74
7,500	7,617	80	84
10,000	11,085	92	93
15,000	15,504	101	107
20,000	20,201	110	118



***Note:** The capacity (in Liters) volume level is figured at the "Top Head Seam".

***Note:** The capacity (in Liters) is a reference and is accurate to about +/- 0.5%.



Holloway America
720 N. Cedarbrook Ave.
Springfield, MO 65802

Phone: 417.863.0077
Toll Free: 866.659.0077
Fax: 417.863.8851

www.HollowayAmerica.com
info@HollowayAmerica.com
Datasheet: WELD_VOL_200304

Welded Top Vessels

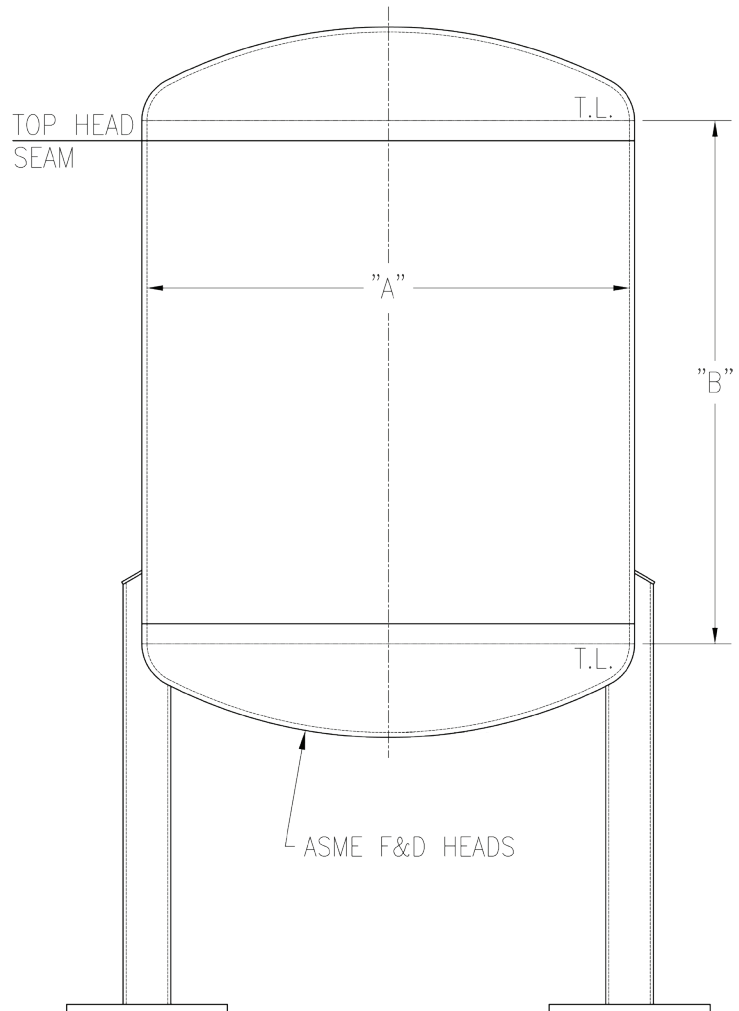
HOLLOWAY produces Welded Top Vessels from 5 Gallons to 10,000 Gallons. Contact a sales engineer to discuss customizable options.

Recommended Dimensions (Volume in Gallons)

VOLUMES BASED ON APPROXIMATE 1:1 RATIO			
NOMINAL VOLUME (GALLONS)	CAPACITY (GALLONS)	"A" (INCHES)	"B" (INCHES)
5	6	12	12
25	29	20	20
50	54	24	26
100	120	32	32
150	173	36	36
250	280	42	43
500	550	52	55
750	825	60	62
1,000	1,108	66	69
1,250	1,389	72	72
1,500	1,651	76	77
1,750	1,923	80	81
2,000	2,212	84	84
2,500	2,771	90	92
3,000	3,354	96	98
4,000	4,096	101	107
5,000	5,117	109	115

***Note:** The capacity (in Gallons) volume level is figured at the "Top Head Seam".

***Note:** The capacity (in Gallons) is a reference and is accurate to about +/- 0.5%.



Holloway America
720 N. Cedarbrook Ave.
Springfield, MO 65802

Phone: 417.863.0077
Toll Free: 866.659.0077
Fax: 417.863.8851

www.HollowayAmerica.com
info@HollowayAmerica.com
Datasheet: WELD_VOL_200304