

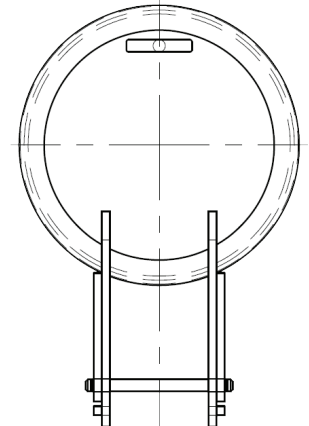
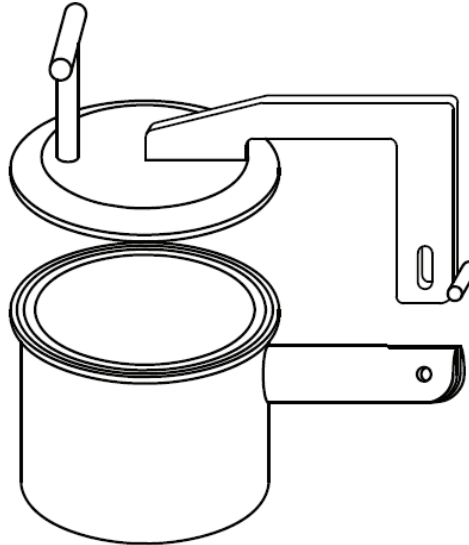
Access Ports

A quick and simple way to access any tank.



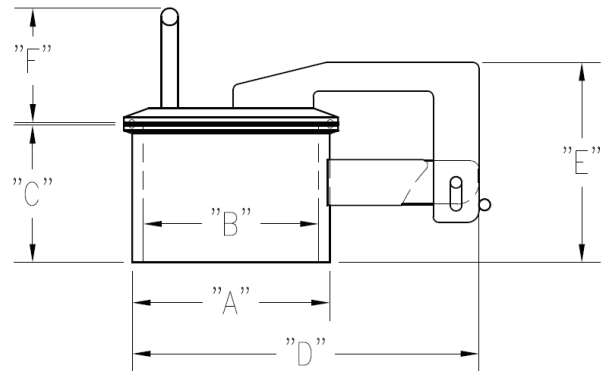
Product Features

- Convenient and cost efficient
- Easy-access handles
- Quick-opening, hinged cover
- ASME Partial Data Plate also available
- Created with a ferrule design
- Stocked in 316L material
- Available with ferrule gaskets such as Black EPDM, Platinum Cured Silicone, and Viton



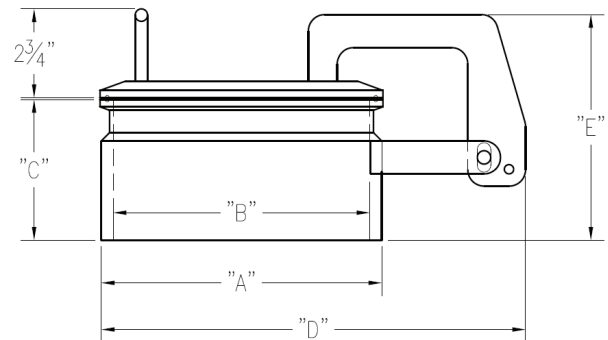
Access Port Dimensional Chart

ACCESS PORT DIMENSIONS						
SIZE	"A" FERRULE O.D.	"B" FERRULE I.D.	"C" FERRULE HEIGHT	"D" BOTTOM LENGTH	"E" OVERALL HEIGHT	"F" CAP HEIGHT
4"	4.320"	3.832"	3.000"	7.583"	4.375"	2.500"
6"	6.500"	5.782"	4.000"	9.369"	5.563"	2.688"



Access Port Dimensional Chart

ACCESS PORT DIMENSIONS						
SIZE	"A" FERRULE O.D.	"B" FERRULE I.D.	"C" FERRULE HEIGHT	"D" BOTTOM LENGTH	"E" OVERALL HEIGHT	"F" CAP HEIGHT
8"	8.000"	7.782"	4.250"	12.294"	6.828"	2.750"
10"	10.000"	9.760"	4.250"	14.381"	6.828"	2.750"
12"	12.000"	11.760"	4.250"	16.437"	6.828"	2.750"



Holloway America
720 N. Cedarbrook Ave.
Springfield, MO 65802

Phone: 417.863.0077
Toll Free: 866.659.0077
Fax: 417.863.8851

www.HollowayAmerica.com
info@HollowayAmerica.com
Datasheet: Access-Ports_200130