

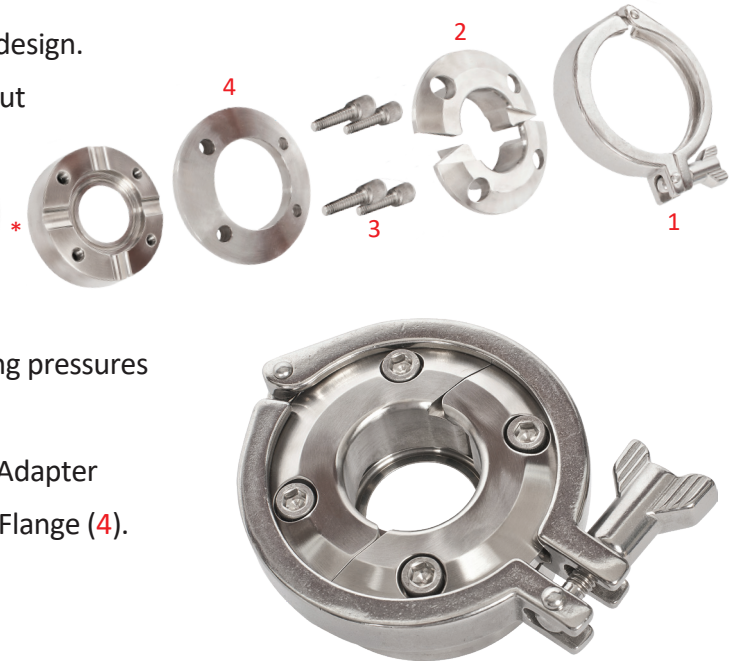
FastMount™ Adapter

No more wrenches, stripped threads, and lost or dropped hardware. No more costly downtime. No more hassles. Just clamp and go, quick and simple.



Product Features

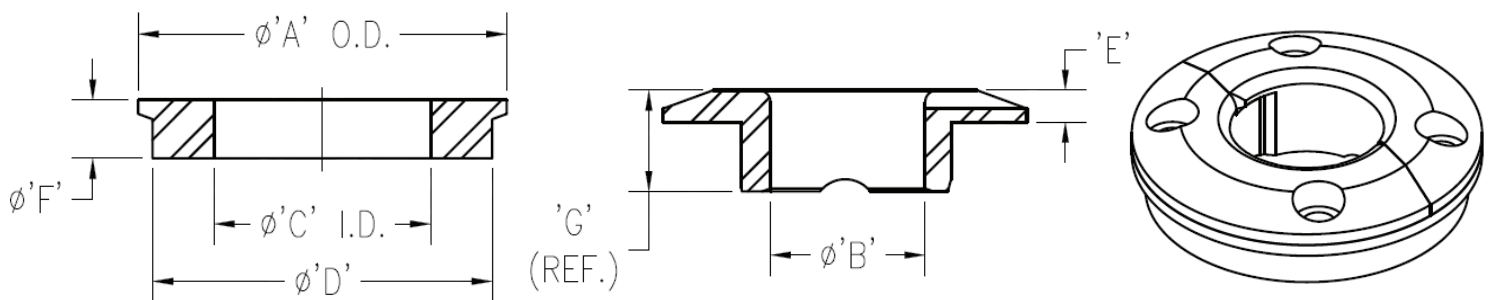
- Converts your existing connection to quick-clamp-type design.
- Easy access to tank/vessel contents and easily change out instruments, probes, piping, etc.
- Fits all NA-Connect and H-Connect™ mounting flanges.
- No vessel modifications or retrofits needed.
- Simple no-weld installation and easy maintenance.
- Long working life and ASME coded for certified operating pressures and temperatures.
- Includes: Standard Heavy Duty Clamp (1), FastMount™ Adapter Split Rings (2), Adapter Flange Hardware (3) and Adapter Flange (4).



* NA-Connect or H-Connect™ Mounting Flange

FastMount™ Adapter Dimensions

FASTMOUNT ADAPTER DIMENSIONS									
SIZE	"A" DIMENSION	"B" DIMENSION	"C" DIMENSION	"D" DIMENSION	"E" DIMENSION	"F" DIMENSION	"G" DIMENSION	CAP SCREW SIZE/LENGTH	CLAMP SIZE
1/2"	2.516"	0.787"	1.102"	2.165"	0.250"	0.250"	0.618"	(4) 1/4"-20NC, X 5/8" LG.	2"
3/4"	2.516"	0.787"	1.102"	2.165"	0.250"	0.250"	0.618"	(4) 1/4"-20NC, X 5/8" LG.	2"
1"	3.579"	1.575"	2.106"	3.300"	0.313"	0.563"	0.994"	(4) 5/16"-18NC, X 1" LG.	3"
1 1/2"	3.579"	1.575"	2.106"	3.300"	0.313"	0.563"	0.994"	(4) 5/16"-18NC, X 1" LG.	3"
2"	4.682"	2.087"	2.638"	N/A	0.313"	0.313"	0.744"	(4) 5/16"-18NC, X 3/4" LG.	4"
2 1/2"	5.685"	2.578"	3.169"	N/A	0.313"	0.313"	0.744"	(4) 5/16"-18NC, X 3/4" LG.	5"
3"	6.570"	3.071"	3.681"	5.161"	0.500"	0.750"	1.368"	(6) 5/16"-18NC, X 1 1/4" LG.	6"



Holloway America
720 N. Cedarbrook Ave.
Springfield, MO 65802

Phone: 417.863.0077
Toll Free: 866.659.0077
Fax: 417.863.8851

www.HollowayAmerica.com
info@HollowayAmerica.com
Datasheet: FastAdapt_200303