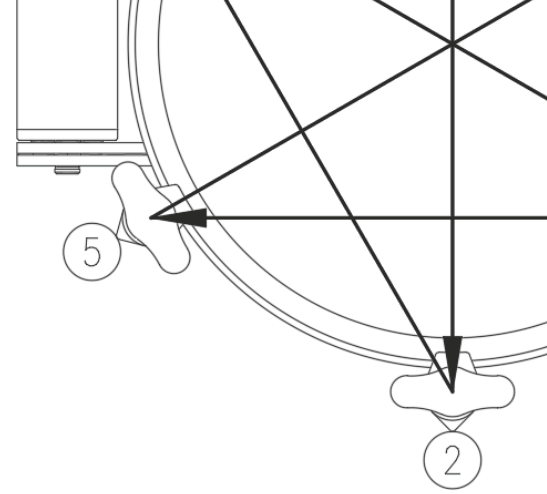


# The H-Series Manway™ Recommended Torque

Holloway recommends the following torque rating for the H-Series Manways and that the clamps should be tightened in a “Star” pattern moving to the lug that is 180° from the previous clamp.



## H-Series Manways

Drawing Numbers: HM0164, HM0165, HM0166, HM0167

- 50 ft-lbs. — For all Manway Sizes



Holloway America  
720 N. Cedarbrook  
Springfield, MO 65802

Phone: 417.863.0077  
Toll Free: 866.659.0077  
Fax: 417.863.8851

[www.hollowayamerica.com](http://www.hollowayamerica.com)  
[info@hollowayamerica.com](mailto:info@hollowayamerica.com)  
Datasheet: H-Series\_200122