

1 MOTOR

Pneumatic motors. 7 bar -> 3600 rpm.

2 REDUCER

2.1 TYPE:

- 2.1.1 Parallel shaft.
- 2.1.2 Conical gear.
- 2.1.3 Coaxial.

2.2 OUTPUT SPEED: 100 - 500 rpm.

3 SHAFT-HEAD COUPLING

- 3.1 Hollow shaft - keyway.
- 3.2 Hollow shaft - shrink disk.
- 3.3 Solid shaft - coupling.

4 SUBJECTION

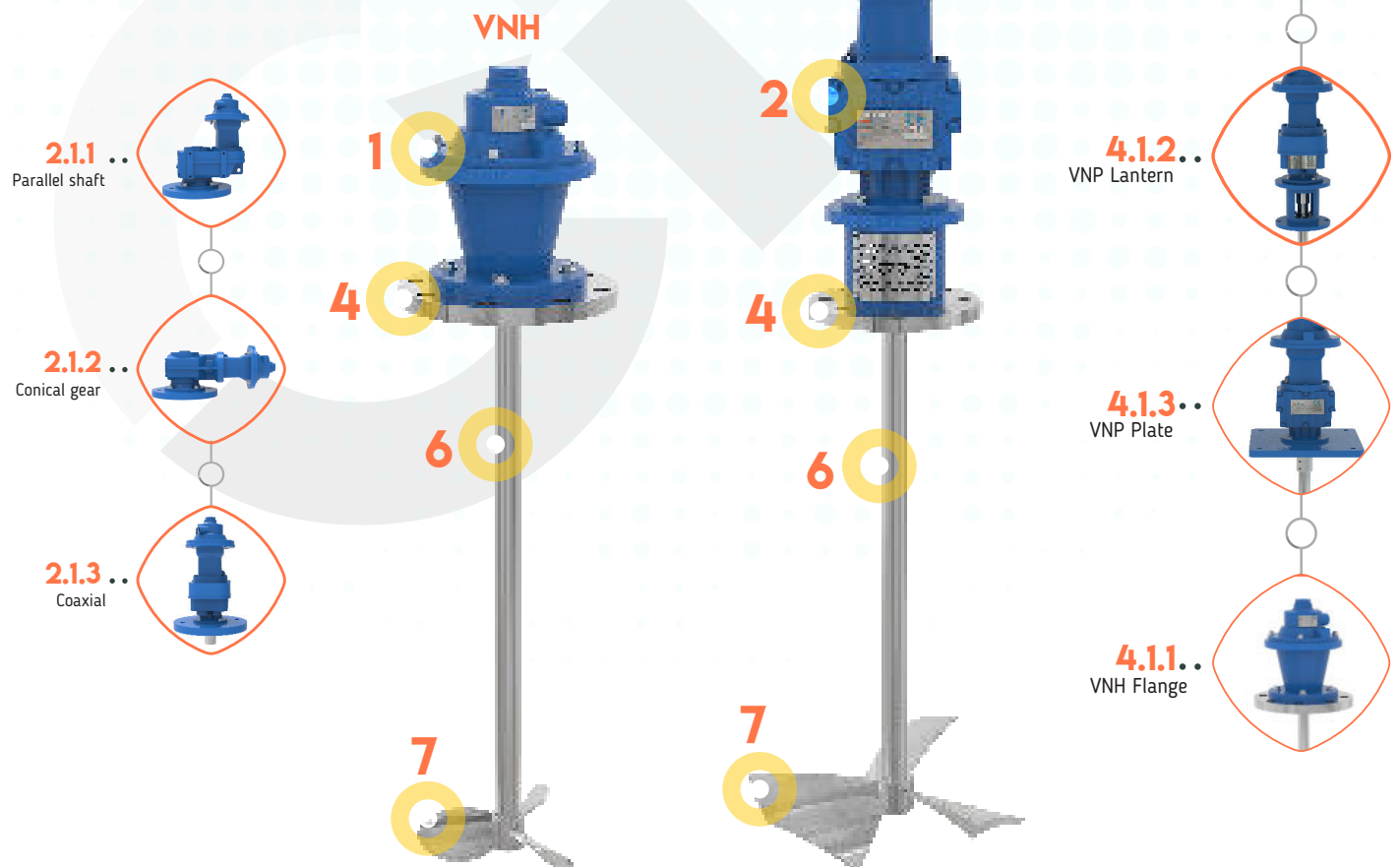
4.1 TYPE:

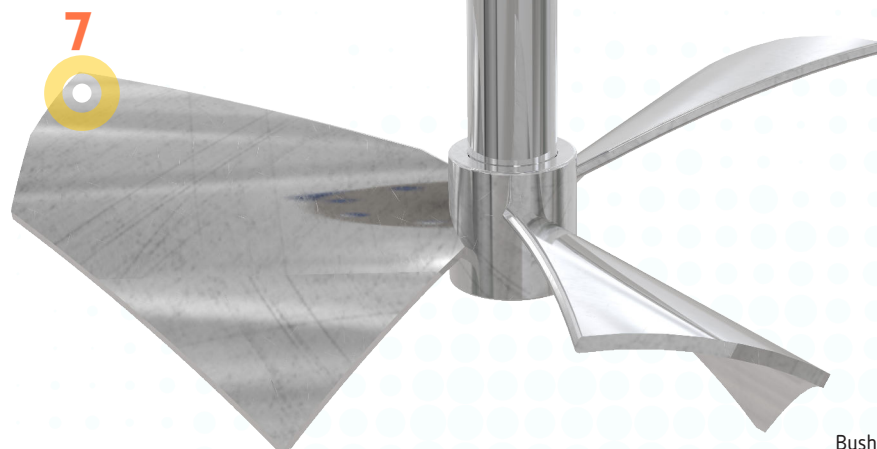
- 4.1.1 FLANGE.
- 4.1.2 LANTERN.
- 4.1.3 PLATE.

4.2 MATERIAL: Stainless steel | Carbon steel.

5 SEALING

Wide range of single and double lip seals | Hydraulic labyrinth | Cable glands | Simple mechanical seal | Double mechanical seal. Optional autonomous refrigeration system (thermosyphon), vapor barrier | Cartridge with double mechanical seal and built-in guide bearing | Special systems for dismantling a full tank for side and bottom entry mixers, or dismantling with a pressure reactor for top entry mixers.





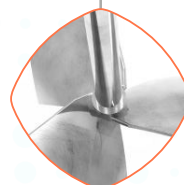
6.2.1 ..
Orejetas



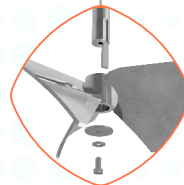
6.2.2 ..
Oppressors



6.2.3 ..
Bushing welded to the shaft



6.2.4 ..
Wedge



6.2.5 ..
Mechanical-welded core



6 SHAFT

6.1 LENGTH: Max: 1,500 mm.

6.2 PROPELLER-SHAFT COUPLING:

- 6.2.1 Lugs.
- 6.2.2 Oppressors.
- 6.2.3 Bushing welded to the shaft.
- 6.2.4 Wedge.
- 6.2.5 Mechanical-welded core.

7 MOBILE

7.1 DIAMETER:

VNH: Min: 100 mm | Max: 300 mm.

VNP: Min: 150 mm | Max: 500 mm.

7.2 TYPE: VNH: Three-bladed marine propeller.

VNP: Three-bladed propeller profile axial type "S".

8 MANUFACTURING MATERIALS

Carbon steel | AISI 304 | AISI 316L | Duplex | Super duplex | Titanium | Hastelloy | Uranus B6.

9 FINISH

9.1 POLISHED: (°Grit).

9.2 COATING: PTFE | PVDF | EPDM | Halar | Butyl rubber | Natural rubber | Ebonite | Neoprene | Fiber glass.

10 OPTIONAL

10.1 MOTORS:

- 10.1.1 ATEX Protection.
- 10.1.2 Stainless steel case.
- 10.1.3 Epoxy paint, food grade.
- 10.1.4 Food grade oil.

10.2 CERTIFICATIONS: NOM | FDA Regulation | EHEDG.

11 APPLICATIONS

For products without viscosity (VNH) and for a mixture of products of moderate viscosity (VNP).

12 VOLUME

VNH: For deposits from 0,05 - 3 m³ | **VNP:** For deposits from 0,5 - 7 m³.