



The crispiest crust

In addition to all your standard oven functions, the PlusSteam feature in this oven simply uses a touch of steam to create a richer and glossier colour, a crispier crust and soft delicious texture for all your home-baked bread - every time.

Product Benefits & Features

The oven that helps you clean it

This oven actually helps you to get it clean. The cavity has a clever catalytic coating that absorbs and oxidises grease, so cleaning is easier.



Use every inch of space inside – everything will cook evenly

Thanks to the UltraFanPlus heating system with extra-large fan and air-guide design, your dish will cook completely evenly wherever you place it in the oven.



Straightforward control – with retractable knobs and start- and end-time selection

So dinner is always ready when you want it, this interface with LED display enables you to select the cooking end-time and duration. It has retractable knobs and push buttons for access to all settings.



A glass door that's simple to keep clean

The glass in this oven's door is simple to clean. You can completely remove the door and the glass panels, and quickly clean it all.

A smooth and silent action every time you close it

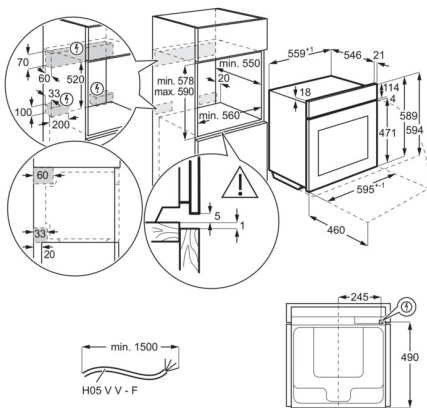
When you're rushing around, and simply don't have time to close the oven carefully, this oven still closes smoothly and silently, thanks to the VelvetClosing® action.

- Built-in oven
- Multifunctional oven with ring heating element
- Oven energy class: A
- Oven cooking functions: Bottom heat, Defrost, Fast grilling, Grilling, Light, Pizza setting, Top/Bottom heat, True fan cooking PLUS, Turbo grilling
- Anti fingerprint stainless steel
- Oven cavity with 3 baking levels
- VelvetClosing® action for a door that closes gently every time
- Retractable knobs
- Electronic oven functions overview: Accoustic signal, Duration, End, Minute minder, Time
- Halogen oven lighting
- Baking chart on oven door inside
- Catalytic stayclean oven lining
- Easy to clean door
- Cooling fan
- Trays supplied with the oven: 1 Combi tray grey enamel
- Grids supplied with the oven: 1 Wire shelf chromed
- Electric cable length: 1.5 m

Product Specification

Product Installation	Built_In	Left front - Hob control	No
Product Typology	BI_Oven_Electric	Rear - Hob control	No
Product Classification	Statement	Right front - Hob control	No
Type	Single	Right rear - Hob control	No
Installation	BI	Thermostat	Top
Size	60x60	Type of timer min.	SET
Oven Energy	Electrical	Electronic Oven Control	SET
Cooking	Fan + Ring	Feature Electronics	Accustic signal, Duration, End, Minute minder, Time
Cleaning top oven	Catalytic	Heating function top oven	Hot air 1.14
Cleaning bottom oven	No	Cooking function top oven	Bottom, Fan + light, Grill, Grill + top, Grill + top + fan, Light, Ring + bottom + fan, Ring + fan, Ring + fan + evaporator, Top + bottom
Nø of cavities	1	Height total	594
Design family	BlueFire	Width mm	594
Main colour	Stainless steel with antifingerprint	Depth mm	567
Control Panel material	Metal Frame with Glass on Top	Built in depth mm	550
Type of doors	1 Horizontal stripe glued, 3 Glasses, Baking chart with symbol, Level indication	Built in height mm	590
Type of handle	Metal, Towel Rail	Built in width mm	560
Door type bottom oven	No	Gas original	No
Door hinges	Drop Down, Soft closing	Gas replacement 2	No
Drawer	No	Gas replacement 3	No
Control lamps	Illuminated symbols, Oven Regulation, Power on, Steam	Gas category	No
Hob control	No	Frequency	50/60

PSGBOV180DE0000F



PSGBOV180DE0000G

