

UMA.SH Parison Suction



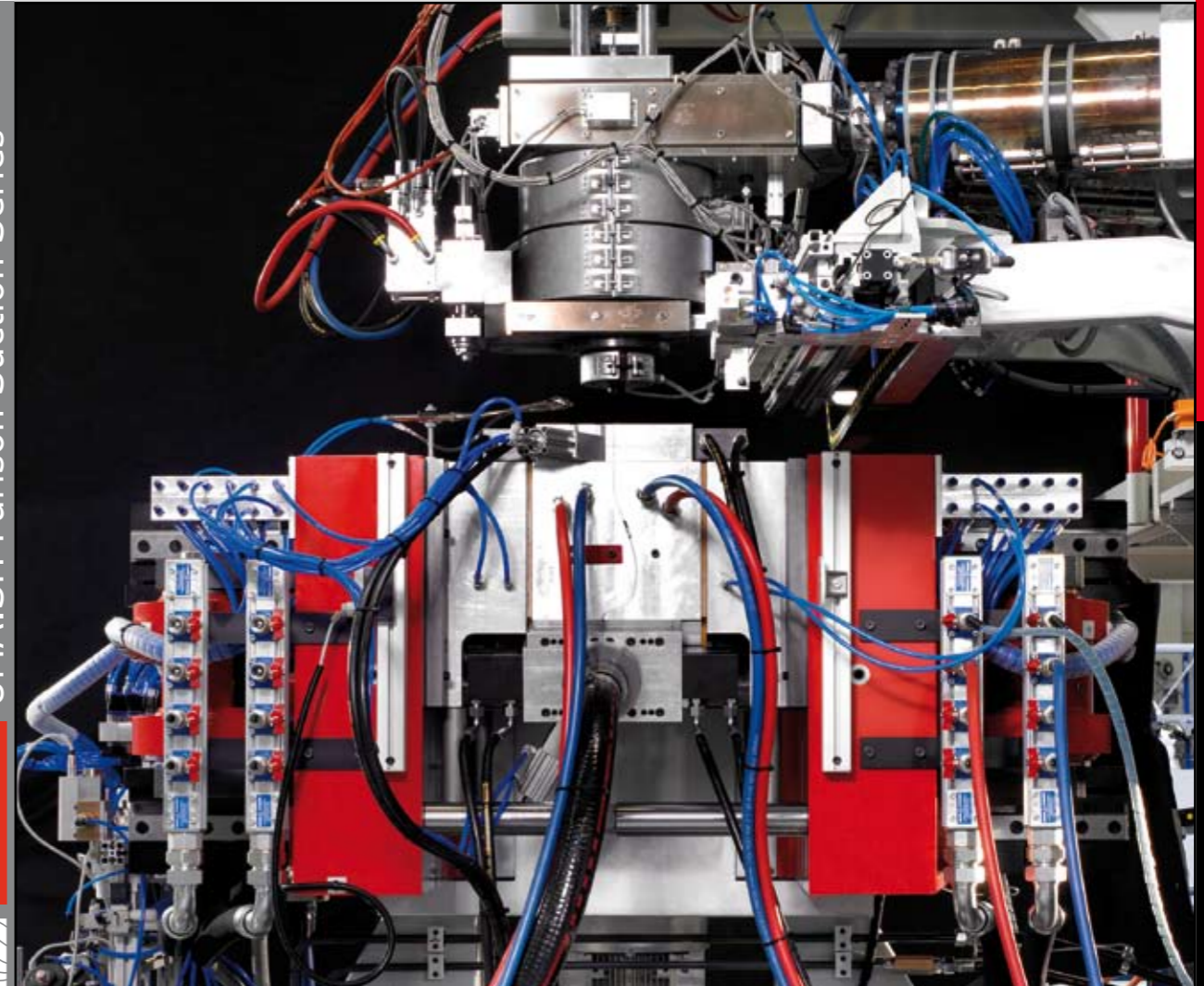
UNILOY MILACRON srl
 Via Alessandrini, 43
 20013 Magenta (MI) - Italy
 phone +39-02-970007.1
 fax +39-02-97280109
 e-mail: info@uniloy.it



□ 3-D PARISON SUCTION AND SEQUENTIAL COEXTRUSION

WWW.UNILOY.IT

UNILOY MILACRON UMA.SH Parison Suction Series



Parison Suction Series

UMA.SH

- AUTOMOTIVE
- CONSUMER
- INDUSTRIAL
- MEDICAL
- TECHNICAL

□ 3-D Parison Suction and Sequential Coextrusion

UMA.SH Parison Suction

MODEL (1)	SINGLE RESIN				SEQUENTIAL COEXTRUSION			
	UMA.SH 12 J (*)	UMA.SH 12 W (*)	UMA.SH 20	UMA.SH 30	UMA.SH 12 SeCo2 (*)	UMA.SH 20 SeCo2	UMA.SH 30 SeCo2	
Standard injectors size / extruders diameter	970 - 1540	extruders 60 - 70	extruders 60 - 70 - 80	extruders 60 - 70 - 80	2 x 970 - 2 x 1540	2 x 970 - 2 x 1540	2 x 1540 - 2 x 2290	
Standard heads (model)	M 80 - T130 - K160	HV1 - HV2	HV1 - HV2 - GP4	HV2 - GP4	WM90	WM90 - WM120	WM90 - WM120	
CLAMP UNIT								
Clamp force	kN	120	120	200	300	120	200	300
Platens dimensions (w x h)	mm	450 x 520	790 x 800	650 x 700	650 x 700	790 x 800	650 x 700	650 x 700
Maximum mold width	mm	500	800	800	800	800	800	800
Maximum mold height	mm	1200	1500	1500	1500	1500	1500	1500
Daylight between platens (min. / max.)	mm	360 / 710	800 / 1400	400 / 1000 (800 / 1400)	800 / 1400	400 / 1000 (800 / 1400)	800 / 1400	800 / 1400
Maximum mold weight	kg	1800	2500	3500	3500	2500	3500	3500
POWER REQUIREMENT								
Total connected load	kW	71 - 90	84 - 103	73 - 118	92 - 148	289 - 315	204 - 228	236 - 286
Average power consumption	kW	38 - 49	46 - 57	44 - 71	55 - 89	25 - 29	51 - 57	59 - 71
MACHINE DIMENSIONS								
Width	mm	2200	3500	3100	3100	3600	3600	3600
Length	mm	4300	5800	5400 (5800)	5800	6200	7500 (7900)	7900
Height	mm	2900 - 3300	3800 - 4400	3800 - 4400	3800 - 4400	3300 - 3900	3400 - 3900	3500 - 4000

(*) Electric clamp unit: mould stack height must correspond to the minimum daylight between platens.
 (1) High-temperature version (up to 350°) optionally available for processing resins beyond 300 °C (PPS).
 (2) Long-life screw and barrel execution optionally available for processing glass filled resins.

Other configurations are available upon request.
 Data are subject to change without notice.

EXTRUDERS (2)		60	70	80
Screw diameter / L:D ratio	mm	60 / 24	70 / 24	80 / 24
Electric motor power / Motor type	kW	30 / AC	42 / AC	64 / AC
Heating zones number / Total heating power	n° / kW	5 / 11	5 / 16	5 / 18

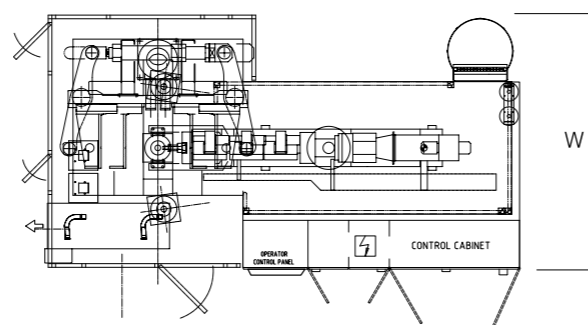
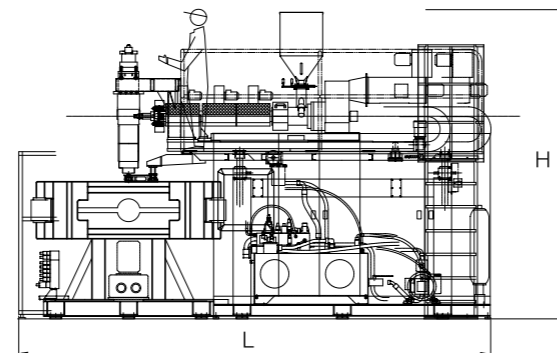
INJECTORS (2)		970	1540	2290
Screw diameter / L:D ratio	mm	50 / 24,2	60 / 23,6	70 / 22,9
Accumulation volume	cm³	2 x 471	2 x 792	2 x 1232
Heating zones number / Total heating power	n° / kW	5 / 18,8	5 / 23,1	5 / 30,7

ACCUMULATOR HEADS		HV1	HV2	GP4
Accumulation volume	lt	1,3	2,5	4,2
Maximum die diameter	mm	100	150	220
Heating zones number / Total heating power	n° / kW	4 / 13	4 / 15	4 / 17

MONOLAYER EXTRUSION HEADS		M80	T130	K160
Melt distributor type		torpedo	torpedo	heart-shaped
Maximum die diameter	mm	80	130	160
Heating zones number / Total heating power	n° / kW	4 / 7,6	5 / 8,5	5 / 10,2

SEQUENTIAL COEXTRUSION HEADS		WM 90	WM120
Melt distributor type		dual ring	dual ring
Maximum die diameter (with / without RPV)	mm	65 / 90	90 / 120
Heating zones number / Total heating power	n° / kW	8 / 15	8 / 19

SINGLE RESIN



SEQUENTIAL COEXTRUSION

