

M-10iA™ Series

FANUC
Robotics

Basic Description

The M-10iA is FANUC Robotics' latest-generation, six-axis, high performance industrial robot. This small but mighty robot only weighs 130 kg but provides 10 kg payload with the highest wrist moments and inertia in its class.

Dress-out and routing of cables and airlines have been greatly simplified with a 50 mm hollow wrist and upper arm, helping to reduce system cost and improving reliability. The M-10iA can be floor or wall mounted at any angle, or ceiling mounted. J3 can also flip over allowing the robot to work behind itself creating a very large work envelope.

Along with FANUC's integrated vision package in the controller called *iRvision*®, the M-10iA comes vision ready with a 2D vision cable integrated though the robot arm as a standard option.

The M-10iA has the highest axis speeds and the best repeatability in its class, making for an extremely fast and highly repeatable robot. The M-10iA is setting the industry standard for small robots and is the perfect solution for your application.

M-10iA Series, the Solution for:

- Machine tending
- Material handling
- Assembly
- Picking and packing
- Material removal
- Testing and sampling
- Dispensing

Features and Benefits

- 6 degrees of freedom
- ±0.08 mm repeatability
- 10 kg payload at wrist
- Large wrist moments and inertias for real-world EOATs and workpieces



- Supplementary payload mount on J3 casting
- Pneumatic and electrical (8 DI/8 DO) connections for EOAT on J3
- 2D vision cables from J1 to J3 as a standard option
- Compact size, slim wrist, and small footprint permit operation in tight work spaces
- Robot can be floor, angle, wall or ceiling mounted
- High joint speeds maximize throughput
- Absolute encoder positioning eliminates homing at power-up
- Intelligent color graphic teach pendant is network ready
- Built-in Solution Arm, 50 mm hollow wrist and upper arm

Reliability

- RV reducer, gear and harmonic drivetrains provide rigidity and performance in a compact package
- Sealed bearings and brushless, maintenance-free AC motors provide protection and improve reliability

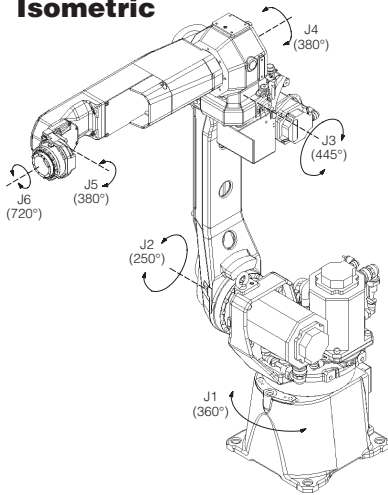
Robot and Controller Options

- M-10iA/6L variant available for applications that require greater reach
- *iRvision* for guidance and inspection
- Up to 40 axes (robot + auxiliary) on same controller
- Extended communications capabilities: FTP, DeviceNet, Profibus, Genius, FANUC Model A I/O rack, CC-Link, etc.
- Linear or circular conveyor tracking
- Many unique robot and application-driven software options available

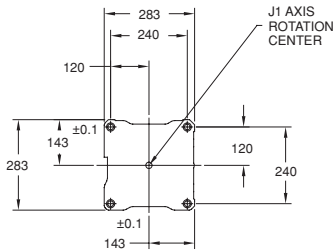
Note: *iRvision*® is a registered trademark of FANUC LTD.

M-10iA Dimensions

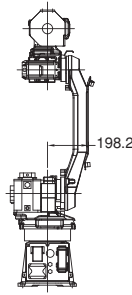
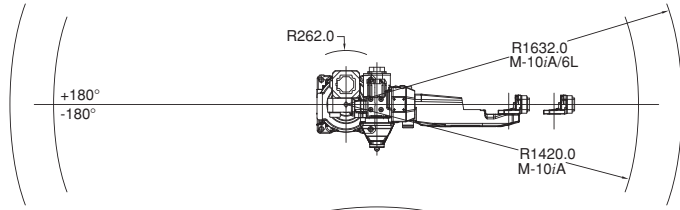
Isometric



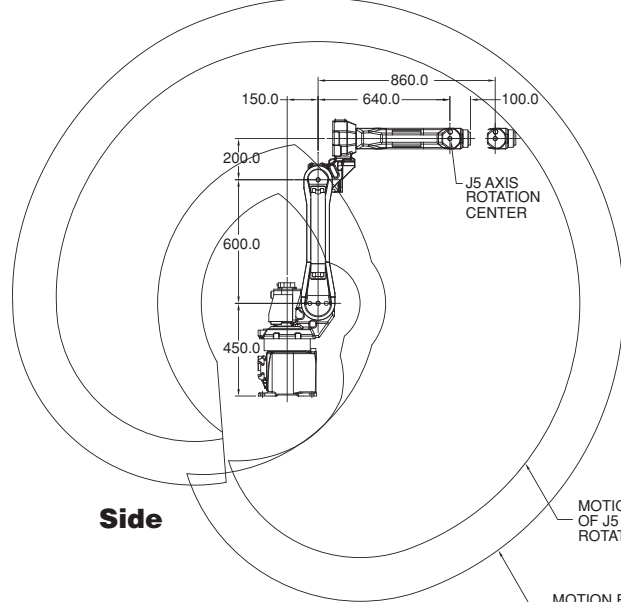
Footprint



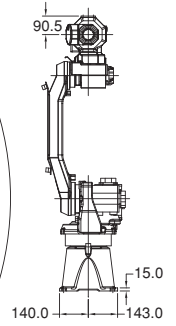
Top



Back



Side



Front

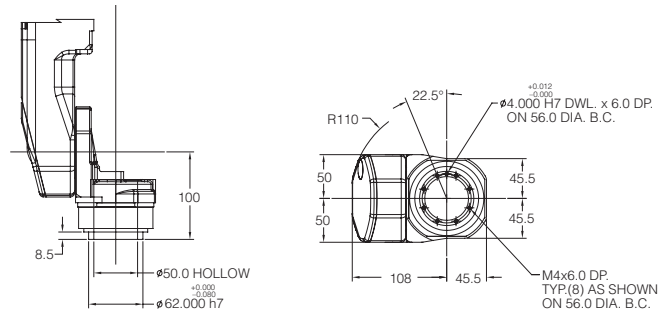
MOTION RANGE OF J5 AXIS ROTATION CENTER (M-10iA)

MOTION RANGE OF J5 AXIS ROTATION CENTER (M-10iA/6L)

M-10iA Specifications

Items	M-10iA	M-10iA/6L	
Axes	6	6	
Payload (kg)⁽¹⁾	10	6	
Payload (kg) on J3 casting	12	12	
Reach (mm)	1420	1632	
Repeatability⁽²⁾ (mm)	±0.08	±0.10	
Interference radius (mm)	262	262	
Motion range (degrees)	J1	340/360	340/360
	J2	250	250
	J3	290 (445) ⁽³⁾	290 (445) ⁽³⁾
	J4	380	380
	J5	380	380
	J6	720	720
Motion speed (degrees/s)	J1	210	210
	J2	190	190
	J3	210	210
	J4	400	400
	J5	400	400
	J6	600	600
Wrist moments N-m (kgf-m)	J4	22 (2.2)	15.7 (1.6)
	J5	22 (2.2)	10.1 (1.0)
	J6	9.8 (1.0)	5.9 (0.6)
Wrist load inertia (kg-m²)	J4	0.63	0.63
	J5	0.63	0.38
	J6	0.15	0.061
Mechanical brakes	All axes		
Mechanical weight (kg)	130	135	
Mounting method⁽⁴⁾	Floor, ceiling, angle, and wall		
Installation environment			
Temperature (°C)	0 to 45		
Humidity	Normally: 75% or less Short term (within a month): 95% or less. No condensation		
Vibration (m/s²)	4.9 or less (0.5 G or less)		
IP rating(s)⁽⁵⁾	IP67 forearm and wrist/IP54 lower body		

Wrist



Note: Dimensions are shown in millimeters.
Detailed CAD data are available upon request.

Intelligent Robot Solutions



FANUC Robotics America, Inc.
3900 W. Hamlin Road
Rochester Hills, MI 48309-3253

Charlotte, NC
(704) 596-5121

Toronto, Canada
(905) 812-2300

Chicago, IL
(847) 898-6000

Montréal, Canada
(450) 492-9001

For sales or technical information, call:
1-800-iQ-ROBOT

Cincinnati, OH
(513) 754-2400

Aguascalientes, Mexico
52 (449) 922-8000

Los Angeles, CA
(949) 595-2700

Sao Paulo, Brazil
(55) (11) 3619-0599

Toledo, OH
(419) 866-0788

marketing@fanucrobotics.com
fanucrobotics.com

©2008 FANUC Robotics America, Inc. All rights reserved. FANUC ROBOTICS LITHO IN U.S.A. FRA-8/08

Notes:

- (1) Payload on J3 casting is in addition to wrist payload capacity
- (2) Repeatability per JIS8432
- (3) Combined J2 & J3
- (4) J1 and J2 motion range de-rated when M-10iA & M-10iA/6L are angle or wall mounted
- (5) Organic solvents, acids, alkalis and chlorine/gasoline coolants or any chemicals which may harm NBR (nitrile rubber) must not be used