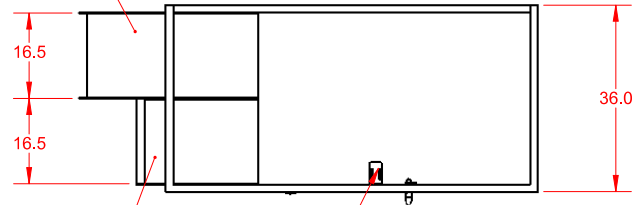


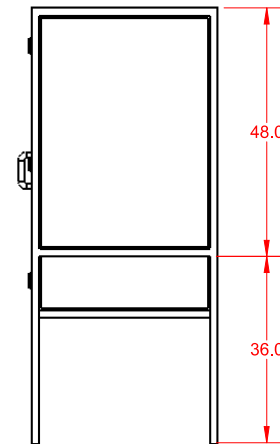
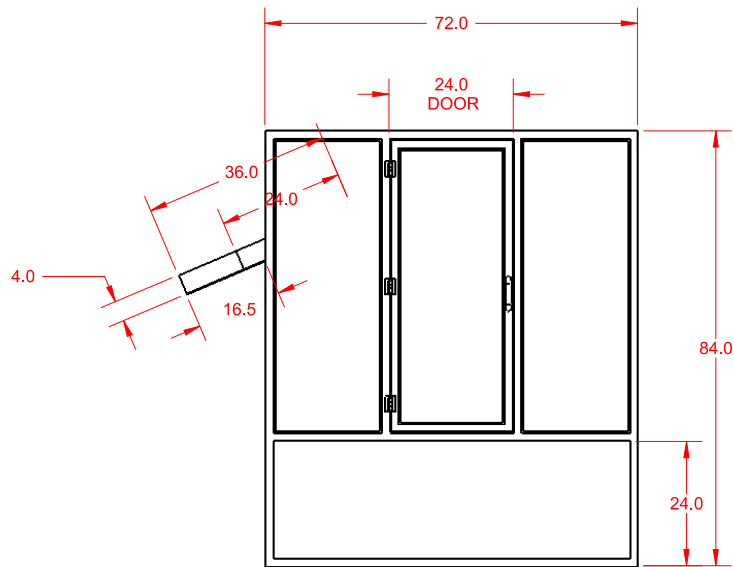
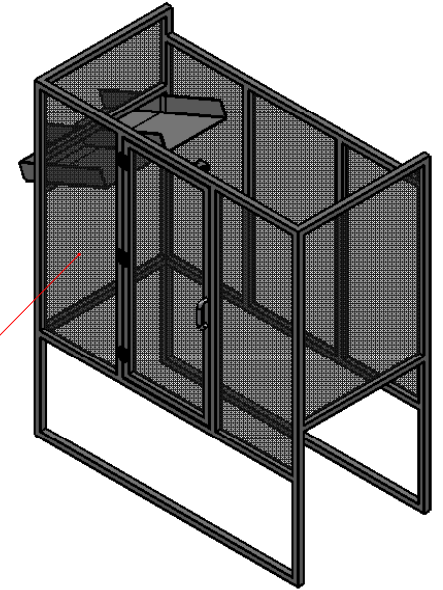
CHUTE TO GRINDER



QUALITY PAN

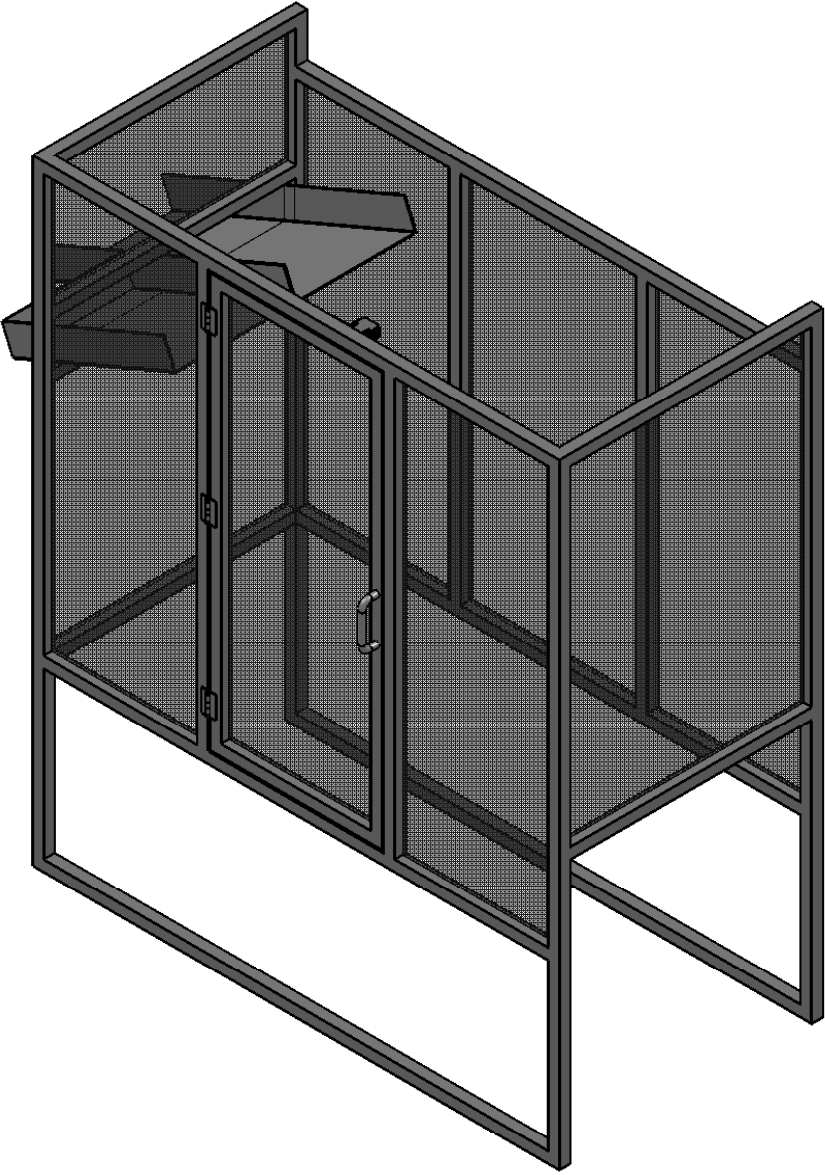
SAFETY SWITCH


EXPANDED METAL GUARD



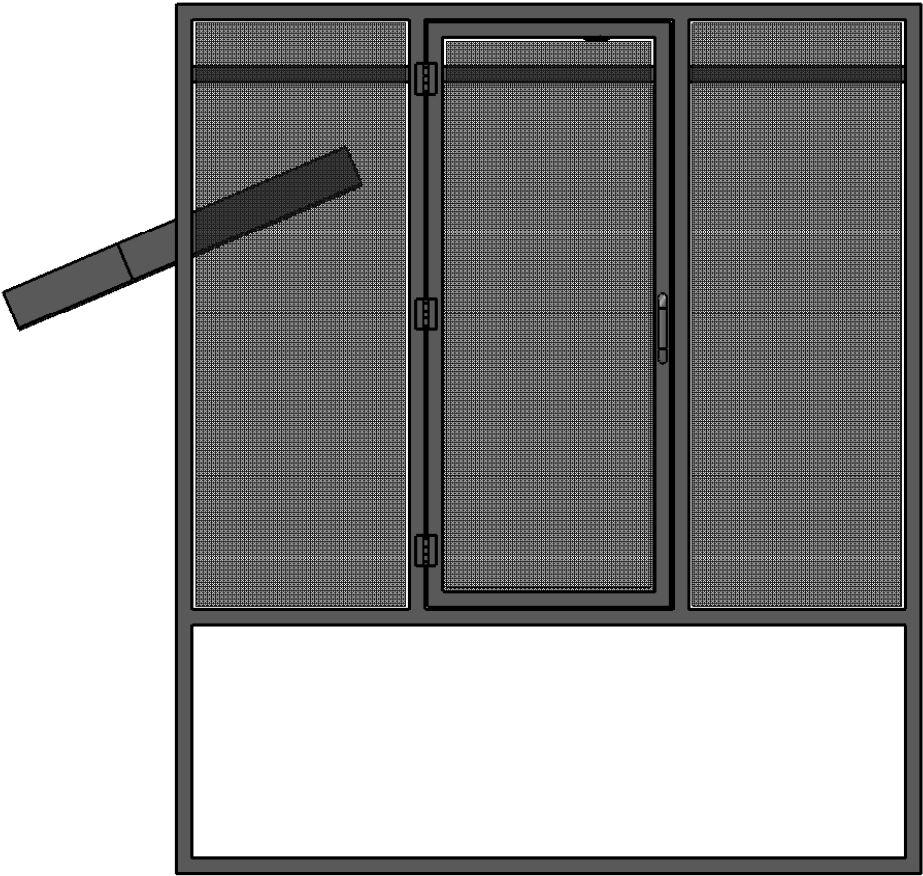
|                            |                          |                |
|----------------------------|--------------------------|----------------|
| CUSTOMER APPROVAL AND DATE | APPLICATIONS ENGINEERING |                |
|                            | DRAWN BY JBB             | SHEET 1 OF 6   |
| SIGNATURE                  | TITLE<br>ROBOT CAGE      |                |
|                            | SCALE 1:24               | DRAWING NUMBER |
| DATE                       | DATE 1/21/2011           |                |


**ISOMETRIC VIEW**



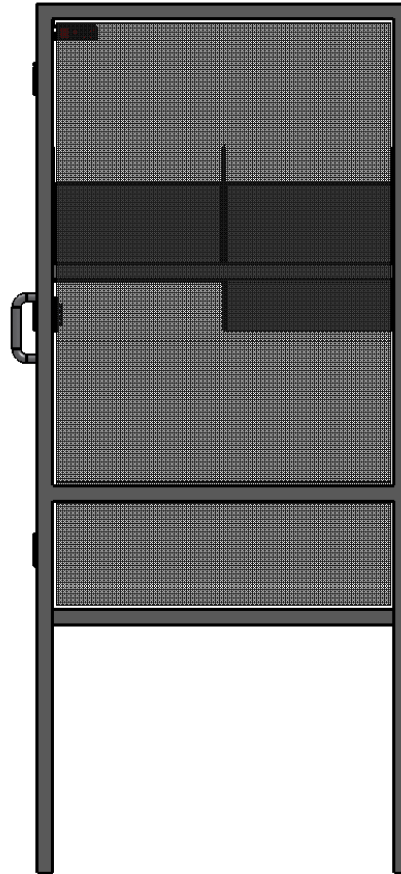
|   |                                  |
|---|----------------------------------|
|  |                                  |
| CUSTOMER APPROVAL AND DATE  | APPLICATIONS ENGINEERING         |
| SIGNATURE   | DRAWN BY <b>JBB</b> SHEET 2 OF 6 |
| DATE  | TITLE <b>ROBOT CAGE</b>          |
|   | SCALE <b>1:12</b> DRAWING NUMBER |
|   | DATE <b>1/21/2011</b>            |

**FRONT VIEW**



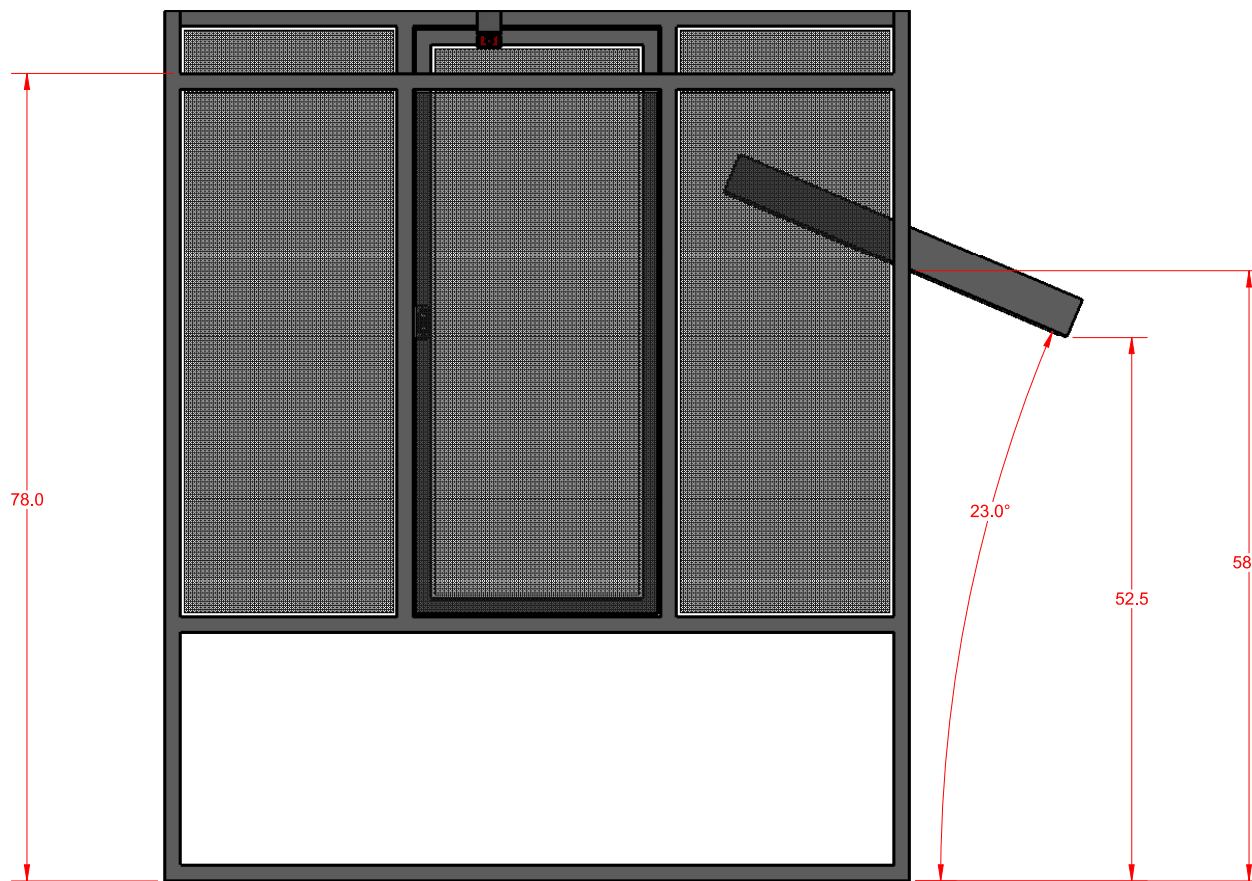
|   |                            |                          |                |
|---|----------------------------|--------------------------|----------------|
|  |                            | APPLICATIONS ENGINEERING |                |
|   |                            | DRAWN BY <b>JBB</b>      | SHEET 3 OF 6   |
| CUSTOMER APPROVAL AND DATE  | TITLE<br><b>ROBOT CAGE</b> |                          |                |
| _____   | SIGNATURE                  | SCALE <b>1:12</b>        | DRAWING NUMBER |
| _____   | DATE                       | DATE <b>1/21/2011</b>    |                |

**RIGHT VIEW**



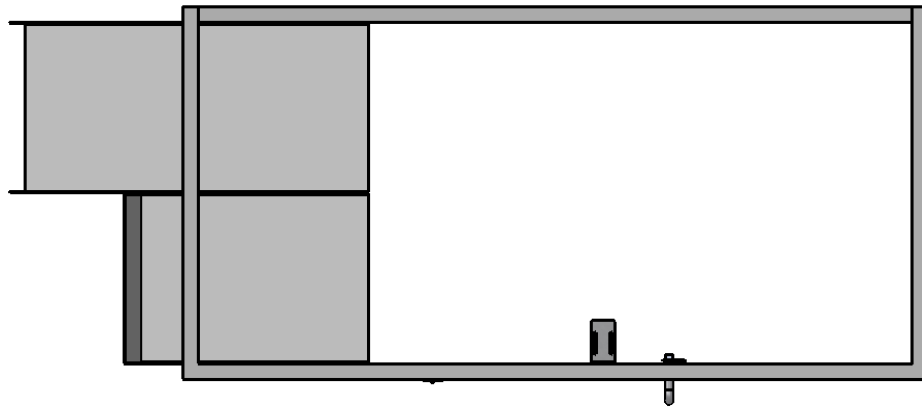
|                            |                            |                |
|----------------------------|----------------------------|----------------|
| CUSTOMER APPROVAL AND DATE | APPLICATIONS ENGINEERING   |                |
|                            | DRAWN BY <b>JBB</b>        | SHEET 4 OF 6   |
| SIGNATURE                  | TITLE<br><b>ROBOT CAGE</b> |                |
|                            | SCALE <b>1:12</b>          | DRAWING NUMBER |
| DATE                       | DATE <b>1/21/2011</b>      |                |

**BACK VIEW**



|                            |                          |                |
|----------------------------|--------------------------|----------------|
| CUSTOMER APPROVAL AND DATE | APPLICATIONS ENGINEERING |                |
|                            | DRAWN BY JBB             | SHEET 5 OF 6   |
| SIGNATURE                  | TITLE<br>ROBOT CAGE      |                |
|                            | SCALE 1:12               | DRAWING NUMBER |
| DATE                       | DATE 1/21/2011           |                |

**TOP VIEW**



|                            |                            |                |
|----------------------------|----------------------------|----------------|
| CUSTOMER APPROVAL AND DATE | APPLICATIONS ENGINEERING   |                |
|                            | DRAWN BY <b>JBB</b>        | SHEET 6 OF 6   |
| SIGNATURE                  | TITLE<br><b>ROBOT CAGE</b> |                |
|                            | SCALE <b>1:12</b>          | DRAWING NUMBER |
| DATE                       | DATE <b>1/21/2011</b>      |                |