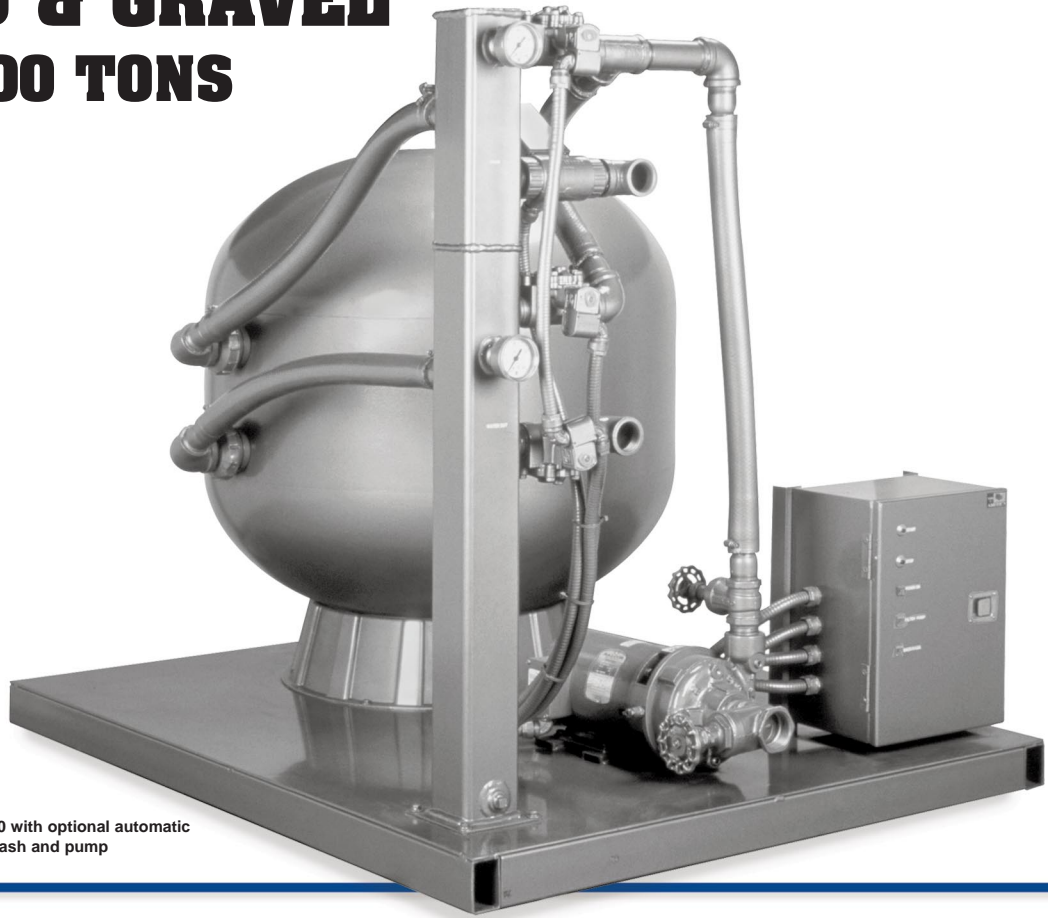


SOLIDS FILTRATION

SAND & GRAVEL 20 - 300 TONS



SGF-30 with optional automatic backwash and pump

Milacron permanent media sand and gravel filters remove free floating solids from plant circulating liquids, preventing blockage in manifolds and orifices located in process equipment. Three sizes are offered to allow tailoring to specific process requirements.

APPLICATION RANGE:

- 20-99 tons - PM-24
- 100-199 tons - PM-30
- 200-300 tons - PM-36

MAXIMUM CAPACITIES:

- 40 gpm - PM-24
- 70 gpm - PM-30
- 100 gpm - PM-36

STANDARD DIMENSIONS:

- 42" x 32" x 40" (HxWxD) for the PM-24 model
- 46" x 48" x 48" (HxWxD) for the PM-30 model
- 52" x 48" x 48" (HxWxD) for the PM-36 model

SGF filter systems are available as standard with a manual backwash system, using a multi-port valve assembly. The optional automatic backwash cycle uses electrically energized valves and an adjustable timing circuit to provide maintenance free cleaning based on specific system requirements. **SCG** filters are available with an optional integral pump assembly.

FEATURES - AT A GLANCE:

- High Quality fiberglass construction
- High flow rates
- Manual or automatic backflush
- Optional integral pump
- Great for chilled or tower water systems
- Structural steel base with decking
- Sand and gravel media



SPECIFICATIONS

'PM' SERIES FILTERS		SGF-24	SGF-30	SGF-36
MAXIMUM CAPACITY	GPM	40	70	100
APPLICATION RANGE	Tons	20 - 99	100 - 199	200 - 300
USED WITH TANK	Smaller Tank	PTS-275	PTS-750	PTS-1500
SET MODEL	Larger Tank	PTS-600	PTS-1250	PTS-3000
MEDIA REQUIRED	Gravel	100lbs	175lbs	250lbs
	Sand	160lbs	400lbs	500lbs
PROCESS CONNECTION	Inches	1	1 1/4	1 1/2
OPTION PUMP HP	HP	1 1/2	2	3
DIMENSIONS without pump	Height	42"	46"	52"
	Width	32"	32"	48"
	Depth	40"	40"	48"
	Weight	400lbs	700lbs	900lbs
DIMENSIONS with pump	Height	42"	46"	52"
	Width	32"	48"	48"
	Depth	40"	48"	48"
	Weight	425lbs	730lbs	935lbs

STANDARD & OPTIONAL FEATURES

FILTER CONSTRUCTION:

- Seamless fiberglass shell
- Sightglass viewport
- Multiport switching valve assembly - for manual switching to backwash mode
- Radial water distributor
- Sand and gravel media
- Lateral collecting system

PRESSURE GAUGES:

- Filter pressure gauge
- Supply pressure gauge (with automatic backwash option)
- Return pressure gauge (with automatic backwash option)

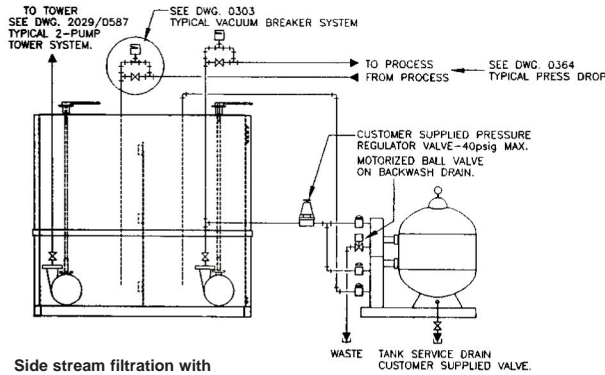
AUTOMATIC BACKWASH: (optional)

- Timer controlled - housed in NEMA rated cabinet
- Supply and return manifolds
- Solenoid and motorized switching valves

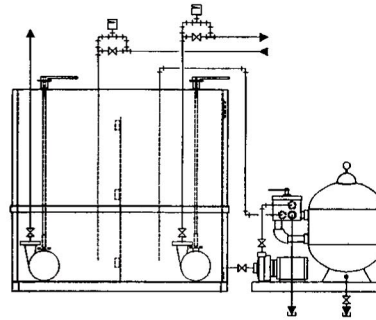
CIRCULATING PUMP: (optional)

- Centrifugal
- Motor driven
- Suction valve
- Discharge valve
- Motor contactor with overload relay housed in NEMA rated cabinet

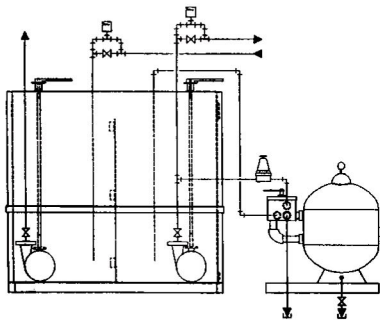
INSTALLATION SCHEMATICS



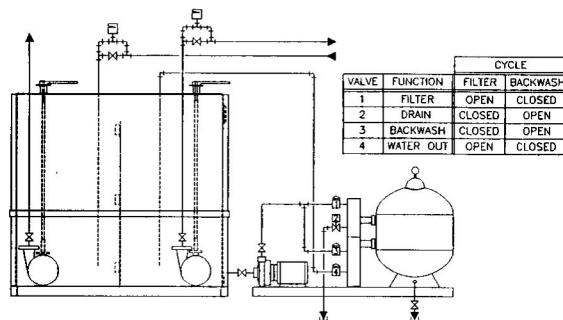
Side stream filtration with automatic back wash.



Manual backwash with integral pump.



Side stream filtration with manual backwash.



Automatic backwash with integral pump.

VALVE	FUNCTION	CYCLE	
		FILTER	BACKWASH
1	FILTER	OPEN	CLOSED
2	DRAIN	CLOSED	OPEN
3	BACKWASH	CLOSED	OPEN
4	WATER OUT	OPEN	CLOSED



MILACRON PRODUCTS: TEMPERATURE CONTROLLERS • PORTABLE CHILLERS • CENTRAL CHILLERS • PUMP TANK STATIONS • TOWER SYSTEMS • FILTERS

CINCINNATI MILACRON SPECIALTY EQUIPMENT BUSINESS

4165 Halfacre Road Batavia, Ohio 45103

Phone: 513-536-2584 Fax: 513-536-2321