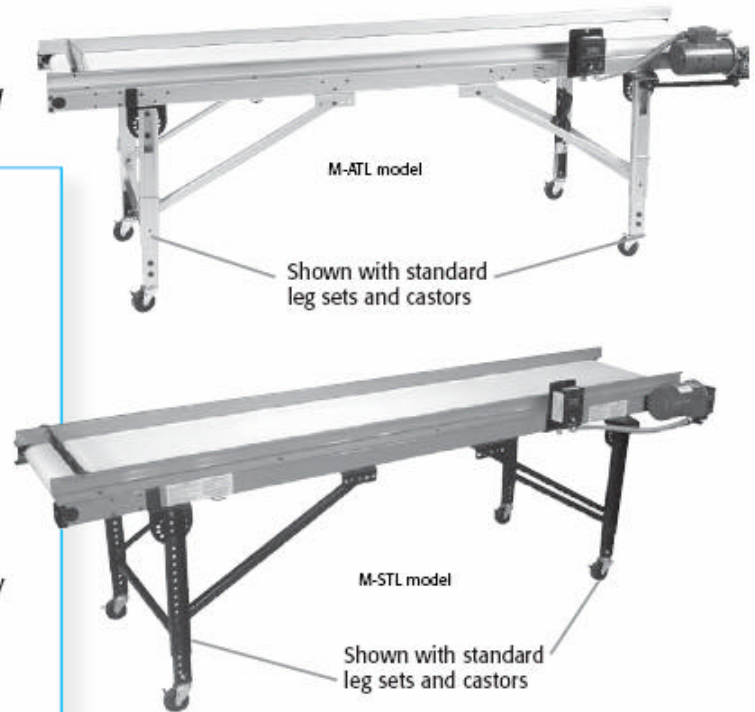


Model M-STL & M-ATL - Trim Line, Flat Belt, Steel or Aluminum Frame

Steel Frame Flat Belt Conveyor - M-STL Model
Aluminum Frame Flat Belt Conveyor - M-ATL Model

Standard Features

- **Direct Drive** ¼ hp 90V DC **Variable Speed Drive** package.
- **No roller chain or sprockets.**
- **Sealed gear reducer.**
- 50 lbs. maximum load.
- ½" anodized aluminum sheet or 12 gauge steel construction.
- Double V-guided, FDA approved, white PVC belt.
- 2" high side rails, lapped over conveyor belt.
- **Leg sets** (Adjustable up to 34" belt height - specify belt height) **and swivel castors included.**
- 15' power cord included. Pre-wired ready-to-run (except polyphase systems which require some customer wiring).
- Control wiring contained in liquid-tight conduit and connectors.



Lengths - 3' to 20'

Belt Widths					
4'	6'	9'	12"	18'	24'

BW = Belt width.

- Standard starter position (specify if other location).

