

**Model M-STLC & M-ATLC - Trim Line, Cleated Belt, Steel or Aluminum Frame**

**Steel Frame Incline, Cleated Belt Conveyor - M-STLC Model**

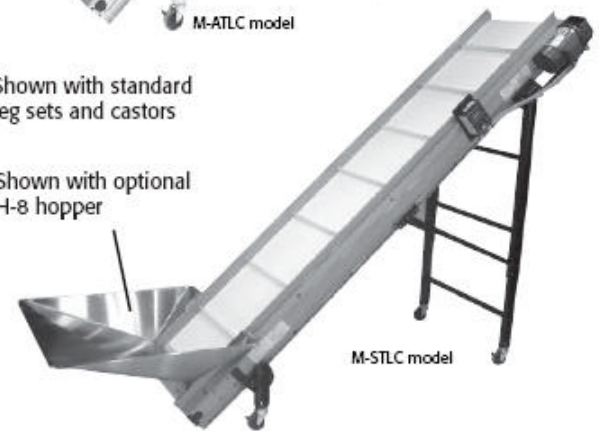
**Aluminum Frame Incline, Cleated Belt Conveyor - M-ATLC Model**

**Standard Features**

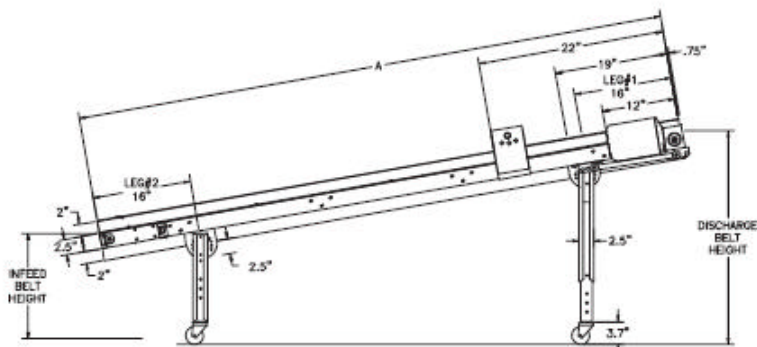
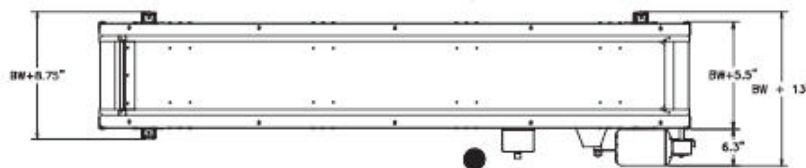
- **Direct Drive ¼ hp 90V DC Variable Speed Drive package.**
- **No roller chain or sprockets.**
- **Sealed gear reducer.**
- 50 lbs. maximum load.
- ½" anodized aluminum sheet.
- Double V-guided, FDA approved, white PVC belt with 1½" high cleats on 18" centers.
- 2" high side rails, lapped over conveyor belt.
- **Leg sets (legs supplied are set at a 45° incline from floor - specify belt height) and swivel castors included.**
- 15' power cord included. Pre-wired ready-to-run (except polyphase systems which require some customer wiring).
- Control wiring contained in liquid-tight conduit and connectors.
- Units up to 10' length ship fully assembled.



Shown with standard leg sets and castors



Shown with optional H-8 hopper



BW = Belt width.

- Standard starter position (specify if other location).

**Lengths - 3' to 20'**

Belt Widths					
4'	6'	9'	12'	18'	24'

