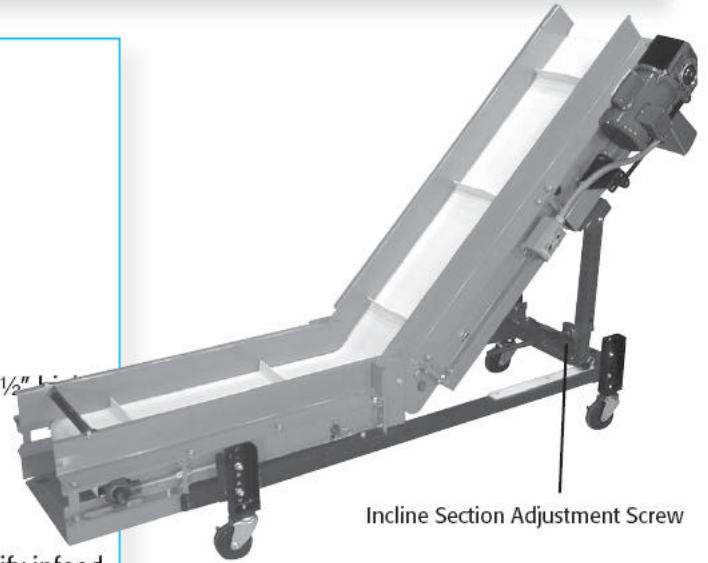


M-KKI Model - Signature Line, Steel Frame, Flat-to-Adjustable Angle Conveyor

Standard Features

- Adjusts from 20° to 45° (12° to 45° for some models).
- **Direct Drive** 1/3 HP 110/60/1 C-Faced Drive package (80 FPM uses 1/2 HP Drive Pak).
- **No roller chain or sprockets.**
- **Sealed gear reducer.**
- 12 gauge steel construction.
- 50 lbs. maximum load.
- Double V-guided, FDA approved, white PVC belt with 1 1/2" high flexible cleats on 18" centers.
- 4" high side rails lapped over the conveyor belt with Lexan infeed flapper.
- Bottom slide tray protects cleats.
- **Leg sets** (Adjustable up to 34" infeed belt height -specify infeed and discharge belt heights) **and swivel castors included.**
- 15' power cord included. Pre-wired, ready-to-run (except on polyphase systems which require customer wiring).
- Control wiring contained in liquid-tight conduit and connectors.
- Units ship fully assembled.



Note: M-KKI shown with 12 gauge steel support leg stand set with leveling screw and castors.

Standard Models

Available in 6 widths, and length increments of 1'. For 6", 9", 12", and 18" belt width models the motor is located at the discharge.

Minimum infeed length 1', maximum is 7'.

Minimum discharge length 2'.

Infeed plus discharge lengths can not exceed 15 ft.

For 24" and 30" belt width models, the motor is located at the infeed.

Minimum infeed length 2ft, maximum is 7'ft.

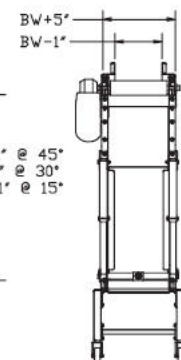
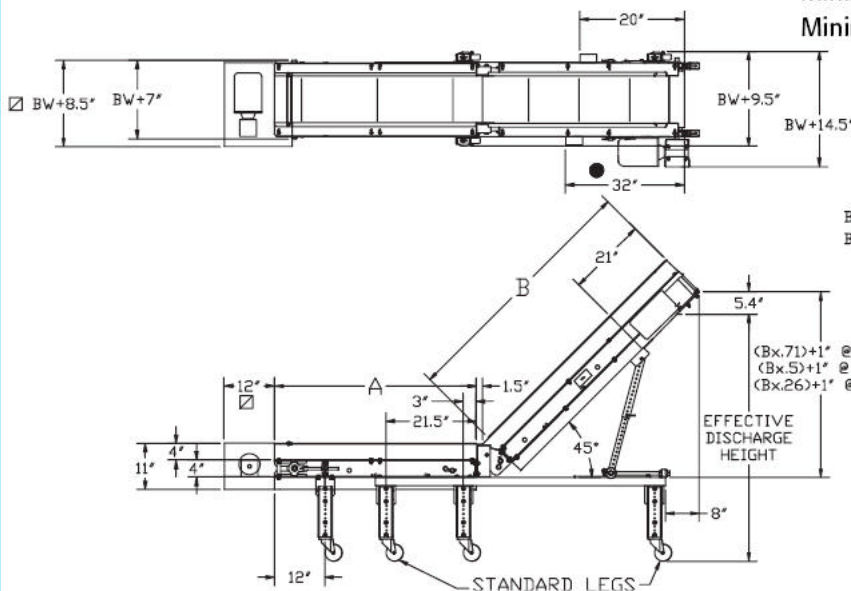
Minimum discharge length 1ft.

Infeed plus discharge lengths can not exceed 15 ft.

Combined Lengths to 15'

| Belt Widths | | | | | |
|-------------|----|-----|-----|-----|-----|
| 6" | 9" | 12" | 18" | 24" | 30" |

Note: See conveyor specifications page for motor locations on page 17.



- Standard starter position (specify if other location).
- ☒ Drive location for 24" & 30" models is on infeed end. 11" min. infeed belt height w/standard legs and castors.