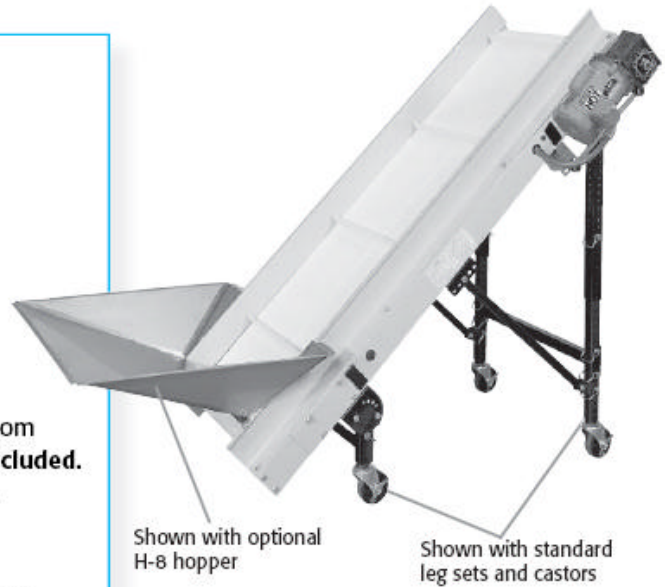


Model M-DDC Merit Line, Steel Frame, Flat Belt Conveyor

Standard Features

- **Direct Drive** 1/3 HP 110/60/1 C-Faced Drive package (80 FPM uses 1/2 HP Drive Pak).
- **No roller chain or sprockets.**
- **Sealed Gear reducer.**
- 150 lbs. maximum load.
- Double V-guided, FDA approved, white PVC belt with 1½" flexible cleats on 18" centers.
- 12 gauge steel construction.
- 4" high side rails, lapped over conveyor belt.
- **Leg sets** (legs supplied are set at a 45° incline from floor - specify belt height) **and swivel castors included.**
- 15' power cord included. Pre-wired ready-to-run (except polyphase systems which require some customer wiring).
- Control wiring contained in liquid-tight conduit and connectors.
- Units up to 10' length ship fully assembled.



Lengths - 3' to 20'

Belt Widths								
6'	9'	12'	18'	24'	30'	36'	42'	48'

