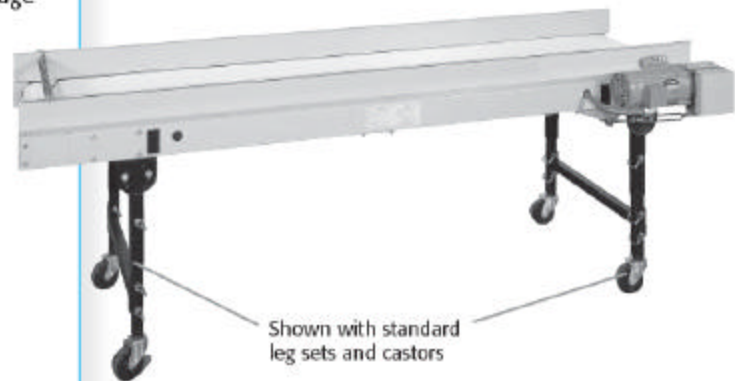


Model M-DDF Merit Line, Steel Frame, Flat Belt Conveyor

- Standard Features**
- **Direct Drive** 1/3 HP 110/60/1 C-Faced Drive package (80 FPM uses 1/2 HP Drive Pak).
 - **No roller chain or sprockets.**
 - **Sealed gear reducer.**
 - 150 lbs. maximum load.
 - 12 gauge steel construction.
 - Double V-guided, FDA approved, white PVC belt.
 - 4" high side rails, lapped over conveyor belt.
 - **Leg sets** (Adjustable up to 34" belt height - specify belt height) **and swivel castors included.**
 - 15' power cord included. Pre-wired ready-to-run (except polyphase systems which require some customer wiring).
 - Control wiring contained in liquid-tight conduit and connectors.
 - Units up to 10' length ship fully assembled.



Lengths - 3' to 30'

Belt Widths								
6"	9"	12"	18"	24"	30"	36"	42"	48"

