

## Model M-ADF - Merit Line, Aluminum Frame, Flat Belt Conveyor

### Standard Features

- **Direct Drive** 1/3 HP 110/60/1 C-Faced Drive package (80 FPM uses 1/2 HP Drive Pak).
- **No roller chain or sprockets.**
- **Sealed gear reducer.**
- 1/8" anodized aluminum sheet.
- 150 lbs. maximum load.
- Double V-guided, FDA approved, white PVC belt.
- 4" high side rails lapped over conveyor belt.
- **Leg sets** (Adjustable up to 34" belt height - specify belt height) **and swivel castors included.**
- 15' power cord included. Pre-wired ready-to-run (except polyphase systems which require some customer wiring).
- Control wiring contained in liquid-tight conduit and connectors.
- Units up to 10' length ship fully assembled.

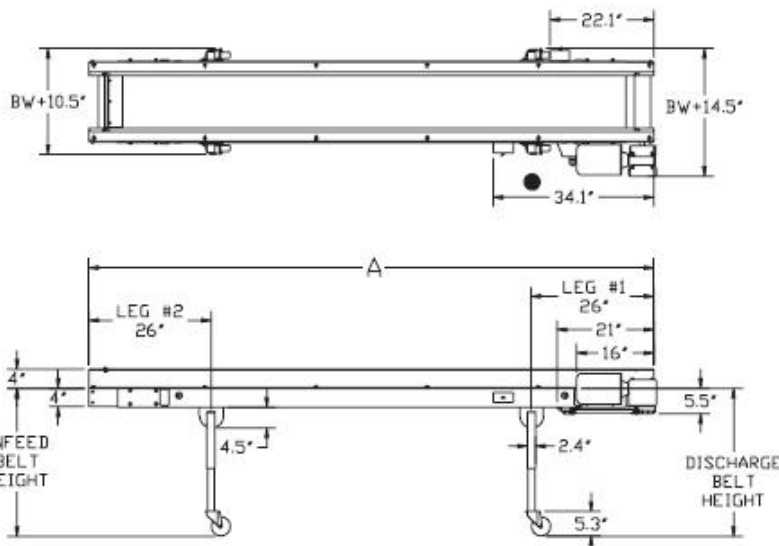
The NEW direct-drive aluminum frame conveyors are economical, weigh up to 48% less than comparable models of steel frame conveyors, yet they are rugged and built for long, industrial use.



M-ADF shown with optional H-8 stainless steel hopper and standard leg sets and swivel castors.

### Lengths - 3' - 30'

Belt Widths								
6"	9"	12"	18"	24"	30"	36"	42"	48"



BW = Belt width.

- Standard starter position (specify if other location). Horsepower charts, leg location & count are on pages 18-20.

