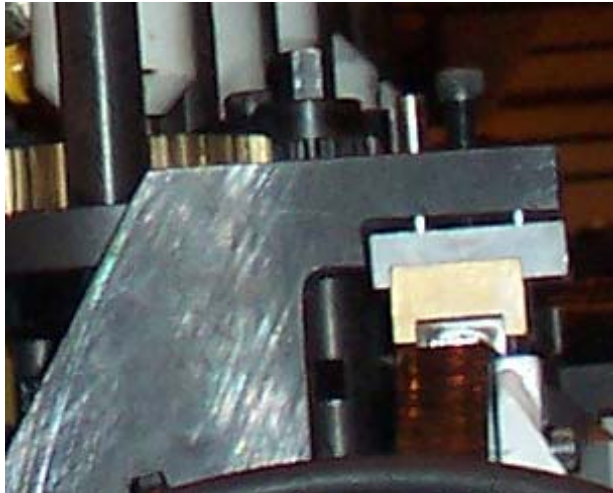


Get Precise and Consistent Head Positioning Using Uniloy's Sliding Head Support Fork Assemblies!



Sliding Head Support Fork



Standard Support Fork

This retrofit is available for any Uniloy Reciprocating Screw Blow molding machine that currently has standard head support forks. The purpose of the support fork is to carry the weight of the extrusion head assembly and provide leveling capabilities for proper die positioning. This design is superior to the original design because it accommodates thermal expansion of the extruder and die head.

Benefits of the Sliding Head design include:

- Smooth and even movement as the extruder and die head assemblies thermally expand.
- Replaces common adjusting screws that hang up by digging into the crossmember.
- Provides consistent die face location from one start up to the next. This is especially helpful in dome blow applications.
- Vertical adjustments are made easily with adjusting screw and jam nut arrangements.

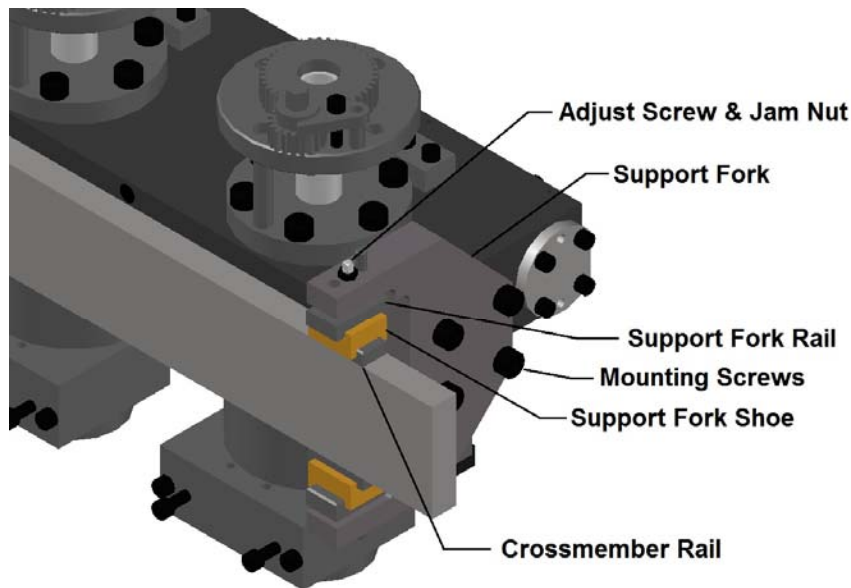
Straight or Incline Support Forks

Support forks have been standard equipment on Uniloy Reciprocating Screw machines for decades. There are two common versions of the support fork; the straight fork and the incline fork. These two versions are used as needed in conjunction with the following standard machine configurations:

| Forks | Side Shift | Bleed Screws | Nozzle | 4" Crossmember |
|--------------|------------|--------------|------------|----------------|
| Straight | No | No | Straight | Straight |
| 1 ½" Incline | No | Yes | Straight | 1 ½" Incline |
| Straight | Yes | No | 1" Incline | 1" Incline |
| 1 ½" Incline | Yes | Yes | 1" Incline | 2 ½" Incline |

Sliding Head Support Forks are available in both straight and incline assemblies.

Support forks for machine configurations not listed here may be quoted upon request. Examples might include 6" crossmembers and 36" double clamps.



Conversion parts include:

- (2) Support Forks
- (4) Crossmember Rails
- (4) Support Fork Shoes
- (4) Support Fork Rails
- (1) Set of Adjusting Screws, Jam Nuts, and Mounting Screws

Sales and Service and Engineering

For more information including pricing on Sliding Head Fork Assemblies or any other machine upgrade, please contact your local Uniloy Parts Sales Representative. Trained Uniloy Service Representatives are available to assist in the installation of these packages at your facility. All Uniloy retrofit packages are engineered to suit your individual machine specifications. Complete engineering documentation including assembly drawings, parts lists, and schematics are always included.