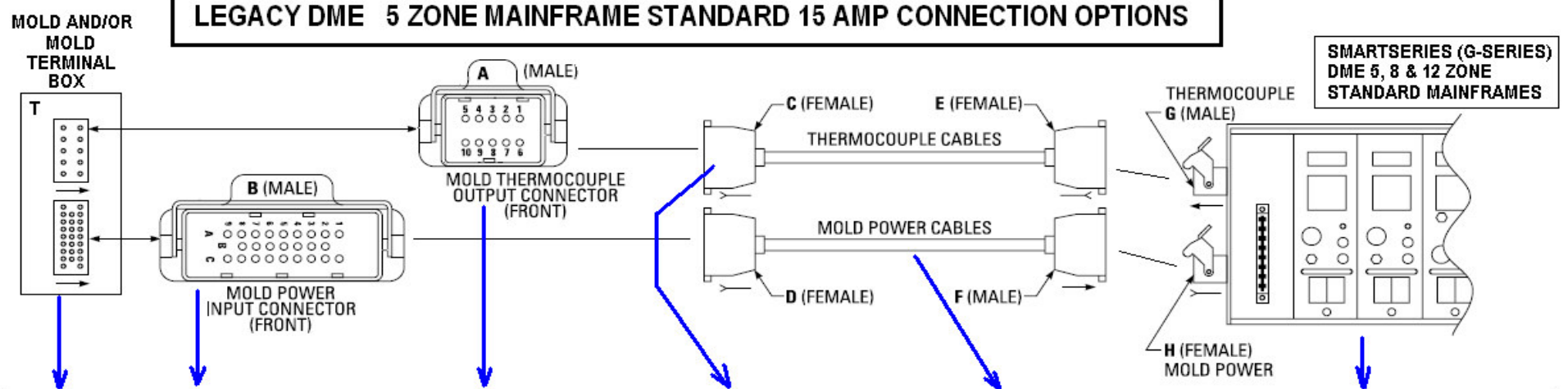


LEGACY DME 5 ZONE MAINFRAME STANDARD 15 AMP CONNECTION OPTIONS



**SMARTSERIES (G-SERIES)
DME 5, 8 & 12 ZONE
STANDARD MAINFRAMES**

| T=MOLD TERMINAL BOX | B= MOLD POWER CONNECTOR | A=MOLD THERMOCOUPLE CONNECTOR | CE=J TYPE THERMOCOUPLE CABLE | DF=MOLD POWER CABLE | DME STANDARD 15AMP MAINFRAMES - CONNECTORS G & H ARE THE SAME FOR ALL 5, 8 & 12 ZONE FRAMES |
|--|--|---|--|--|--|
| <p>MOUNT DIRECTLY ON THE MOLD</p> <p>- OR -</p> <p>↓</p> | <p>PIC 5 G</p> <p>6" LEADS CRIMPED PINS WITH 14 AWG WIRE</p> | <p>MTC 5 G</p> <p>SCREW TERMINALS</p> | <p>TC 5 C10G</p> <p>10 FOOT CABLE</p> | <p>MPC 5 C10 G</p> <p>10 FOOT CABLE</p> | <p>MFP5G</p> <p>STANDARD 5 ZONE MAINFRAME</p> |
| | <p>RPM0072 15 AMP INSERT</p> <p>PIN0114 14AWG MALE CRIMP PINS (30 PINS)</p> <p>RPM0074 BASE</p> | <p>MFCP5G (FOR EXT. ALARM & TAS)</p> <p>COMMUNICATION CONNECTORS</p> | | | |
| <p>INDIVIDUAL MOLD TERMINAL BOX</p> | <p>PIC-512-TB-G</p> | <p>MTC- 5-TB-G</p> | <p>TC 5 C20G</p> <p>20 FOOT CABLE</p> | <p>MPC 5 C20 G</p> <p>20 FOOT CABLE</p> | <p>MFCP5G-CV</p> <p>5 ZONE MAINFRAME WITH CURRENT VOLTAGE MONITOR CURRENT TRANSFORMERS ON EACH ZONE</p> |
| <p>COMBINATION MOLD TERMINAL BOX</p> | <p>PTC- 5-TB-G</p> | | | | <p>MFCP5G-CV</p> <p>5 ZONE MAINFRAME WITH CURRENT VOLT MONITOR AND COMMUNICATIONS</p> |
| | <p>PRE-WIRED COMBINATION TERMINAL BOXES COMPLETE AS SHOWN FOR 5 ZONES (FRONT COVER IS INCLUDED)</p> <p>- OR -</p> | | | | <p>MFCPT5G</p> <p>5 ZONE MAINFRAME WITH MFTA-205 CIRCUIT BREAKER ALARM OUT & COMMUNICATIONS STRIP</p> |
| <p>PTC- 5-TB-G-TS</p> | | <p>PTC- 5-TB-TS</p> | | | |