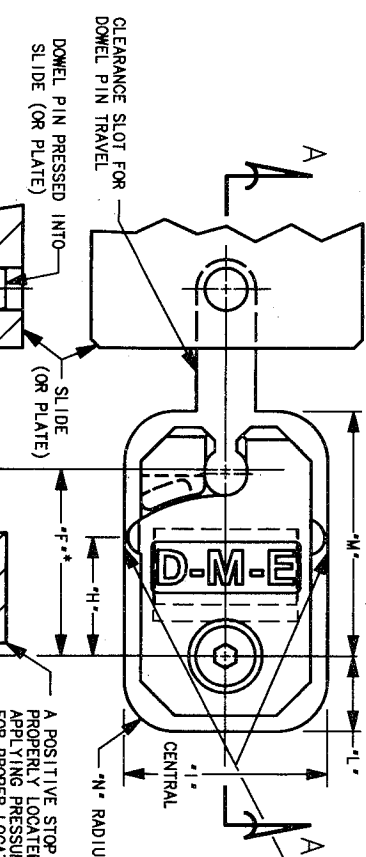
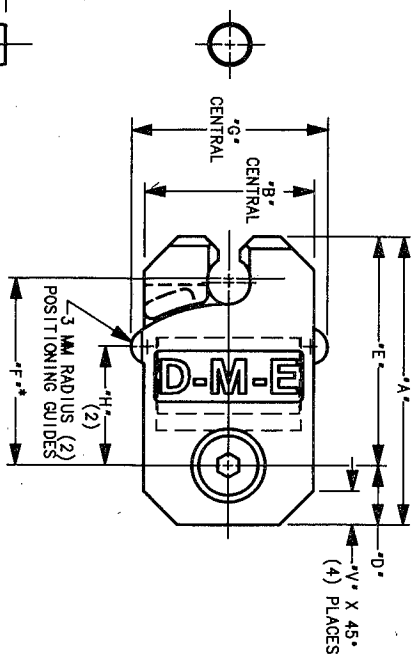


METRIC SLIDE RETAINER DIMENSIONS

METRIC SLIDE RETAINER POCKET DIMENSIONS
(SLIDE APPLICATION SHOWN)

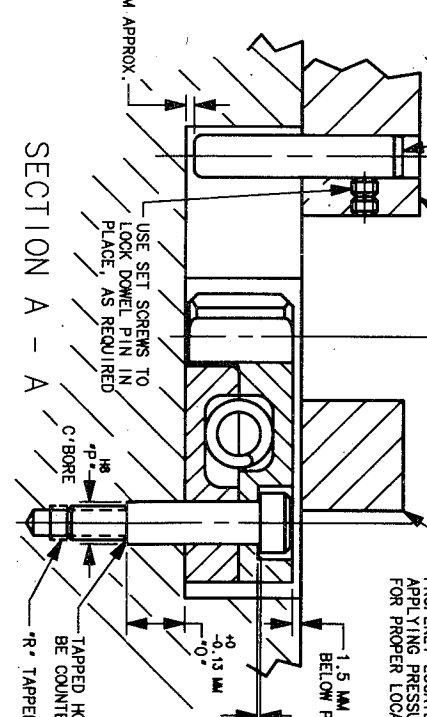
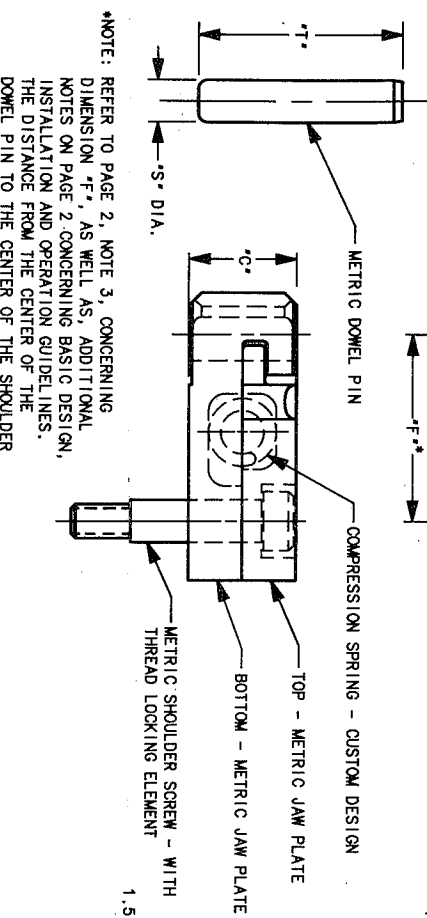


NOTE: ALL DIMENSIONS ARE SPECIFIED IN MILLIMETERS.

POCKET MUST PROVIDE SUPPORT FOR SLIDE RETAINER POSITIONING GUIDES IN AREAS SPECIFIED BY DIMENSION 'A' ON BOTH SIDES OF SLIDE RETAINER. (IF NOT OR IF RETAINER IS SURFACE MOUNTED CENTERING GUIDE BLOCKS MUST BE ADDED TO PROVIDE SUPPORT IN THESE AREAS.)

A POSITIVE STOP BLOCK MUST BE INSTALLED AND PROPERLY LOCATED TO PREVENT DOWEL PIN FROM APPLYING PRESSURE AGAINST BACK OF JAW AREA. FOR PROPER LOCATION, SEE APPLICATION DRAWINGS.

CLEARANCE MUST ALWAYS BE MAINTAINED UNDER THE HEAD OF THE SHOULDER SCREW. AFTER INSTALLATION WITH SHOULDER SCREW TIGHTENED, CHECK TO BE SURE SLIDE RETAINER IS COMPLETELY FREE TO PIVOT.



U.S. PATENT NO. 4,961,702

NOTE: REFER TO PAGE 2, NOTE 3, CONCERNING DIMENSION 'F', AS WELL AS, ADDITIONAL NOTES ON PAGE 2, CONCERNING BASIC DESIGN, INSTALLATION AND OPERATION GUIDELINES. THE DISTANCE FROM THE CENTER OF THE DOWEL PIN TO THE CENTER OF THE SHOULDER SCREW IS CRITICAL.

METRIC SLIDE RETAINER ASSEMBLY CONSISTS OF:

- 1 - TOP - METRIC JAW PLATE
- 1 - BOTTOM - METRIC JAW PLATE
- 1 - COMPRESSION SPRING - CUSTOM DESIGN
- 1 - METRIC SHOULDER SCREW - WITH THREAD LOCKING ELEMENT
- 1 - METRIC DOWEL PIN

METRIC SLIDE RETAINER DIMENSIONS										METRIC SLIDE RETAINER POCKET DIMENSIONS										
CATALOG NUMBER	A	B	C	D	E	F	G	H	I	J	K	L	M	N	O	P	Q	R	S	T
	DIM.	DIM.	DIM.	DIM.	DIM.	DIM.	DIM.	DIM.	DIM.	DIM.	DIM.	DIM.	CHAM.	DIM.	DIM.	DIM.	DIM.	CHAM.	DIM.	DIM.
PSM-0001	38	19	16	7	31.5	24.89	24.0	15.5	3.6	34.5	10.0	25.5	8	15 X 0.8 & 12 MM DP.	6	8.5	10			
PSM-0002	54	32	20	11	43.0	34.93	36.5	22.5	6.4	46.0	14.5	38.0	10	16 X 1.0 & 15 MM DP.	8	10.5	15			
PSM-0003	86	45	30	19	67.0	53.98	49.5	40.0	9.7	70.0	22.5	51.0	12	18 X 1.25 & 18 MM DP.	10	17.0	20			

D-M-E
COMPANY
2911 STEPHENSON HIGHWAY
MADISON HEIGHTS, MI 48071 U.S.A.
(810) 398-6000 OR
1-800-626-6653

METRIC SLIDE RETAINER ASSEMBLIES		METRIC SLIDE RETAINER REPLACEMENT COMPONENTS			
CATALOG NUMBER	MAXIMUM RECOMMENDED HOLDING WEIGHT	SPRINGS - DESIGN		METRIC SHOULDER SCREWS - WITH THREAD LOCKING ELEMENT	
		CATALOG NUMBER	DESIGN	CATALOG NUMBER	NOMINAL SHOULDER DIAMETER
PSM-0001	100 NEWTONS	PSL-0006		PMM-0520	6
PSM-0002	200 NEWTONS	PSL-0009		PMM-0625	8
PSM-0003	400 NEWTONS	PSL-0012		PMM-0840	10

D-M-E
METRIC SLIDE RETAINER
INSTALLATION DATA

Please read carefully before installing Metric Slide Retainer. REFER TO CHARTS AND APPLICATION DRAWINGS FOR INSTALLATION DIMENSIONS.