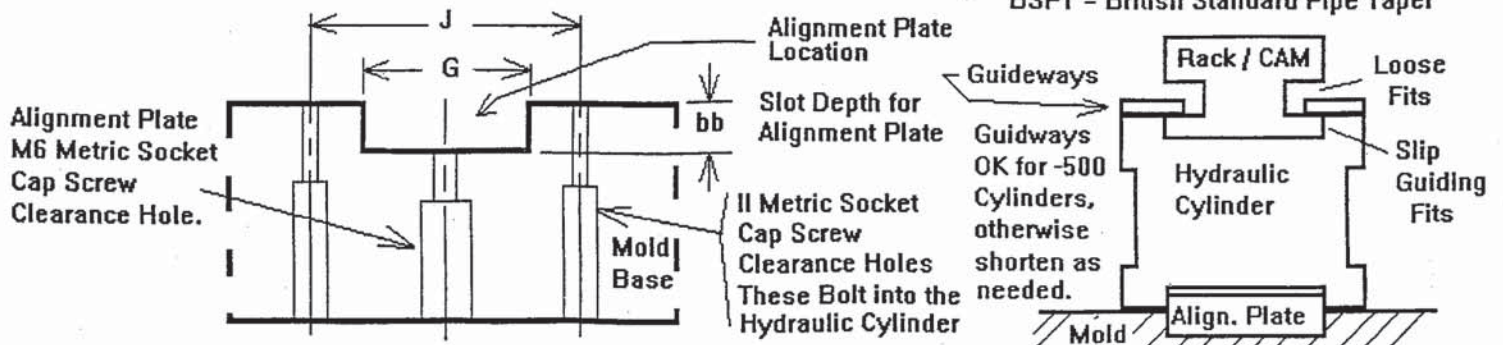
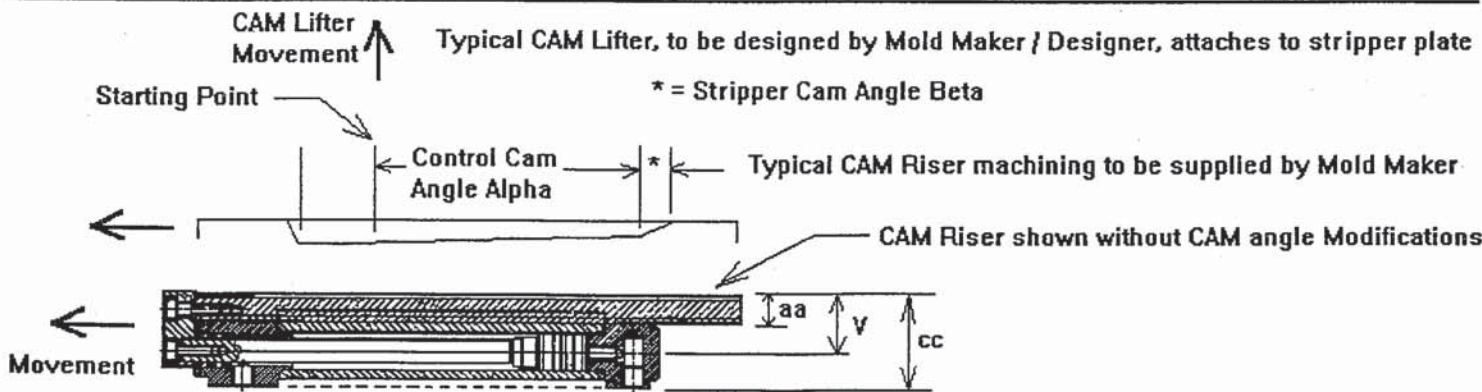
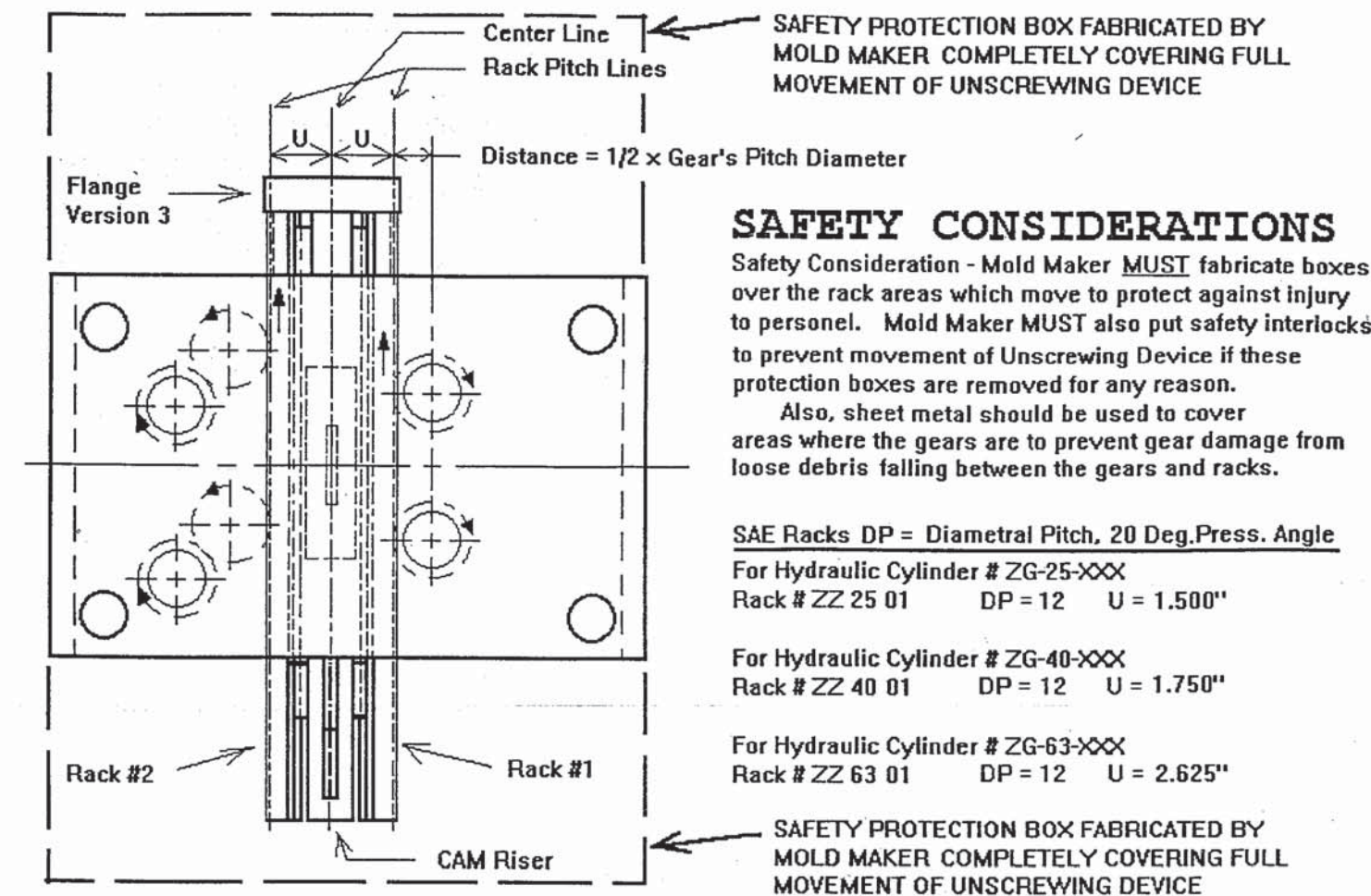


* - Note: Use E1 value instead of E2 if Hydraulic Cylinder Ports face the side instead of straight down

Cylinder #	E2	E		G	J	[D-N-M]	II		bb	P	* E1
		#	Inches				#	Cap Screw			
ZG-25-300	2.598"	3	3.150"	0.787"	1.339"	13.85"	8	M5	1/8"	1/4" BSPT	2.202"
ZG-25-400	4.567"	3	3.150"	0.787"	1.339"	17.79"	8	M5	1/8"	1/4" BSPT	4.173"
ZG-25-500	3.386"	5	3.150"	0.787"	1.339"	21.73"	12	M5	1/8"	1/4" BSPT	2.992"
ZG-40-300	2.598"	3	3.150"	1.181"	1.732"	13.85"	8	M5	1/8"	1/2" BSPT	2.205"
ZG-40-400	4.567"	3	3.150"	1.181"	1.732"	17.79"	8	M5	1/8"	1/2" BSPT	4.173"
ZG-40-500	3.386"	5	3.150"	1.181"	1.732"	21.73"	12	M5	1/8"	1/2" BSPT	2.992"
ZG-63-400	4.882"	3	3.150"	1.969"	2.756"	18.46"	8	M8	5/16"	3/4" BSPT	4.488"
ZG-63-500	3.701"	5	3.150"	1.969"	2.756"	22.40"	12	M8	5/16"	3/4" BSPT	3.307"

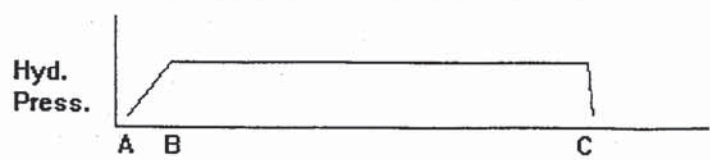
BSPT = British Standard Pipe Taper





SAE CAM Risers

- For Hydraulic Cylinder # ZG-25-XXX
CAM Riser # ZL 25 01 aa= 1.181" V= 1.949" cc= 2.855"
- For Hydraulic Cylinder # ZG-40-XXX
CAM Riser # ZL 40 01 aa= 1.575" V= 2.539" cc= 3.641"
- For Hydraulic Cylinder # ZG-63-XXX
CAM Riser # ZL 63 01 aa = 2.362" V = 3.937" cc = 5.827"



Hydraulic Pressure/Flow should be ramped from point A to B
The Hydraulic Flow should be limited so that from B to C a Maximum Rack travel speed of 18" per second is NOT exceeded. Limit switches should be positioned by the mold builder at points B and C to start and stop the travel.