

## Technical Specifications

| INJECTION UNIT                       | 28mm Frame           |      |      |      |                      |       |       |       | 32mm Frame           |      |      |      |                      |       |       |       |
|--------------------------------------|----------------------|------|------|------|----------------------|-------|-------|-------|----------------------|------|------|------|----------------------|-------|-------|-------|
|                                      | Metric               | A    | B    | C    | English              | A     | B     | C     | Metric               | A    | B    | C    | English              | A     | B     | C     |
| Injection Capacity, Maximum GPPS     | gms                  | 64   | 84   | 106  | oz                   | 2.2   | 2.9   | 3.7   | gms                  | 99   | 125  | 171  | oz                   | 3.5   | 4.4   | 6.0   |
| Theoretical Displacement             | cm <sup>3</sup>      | 67   | 88   | 111  | in <sup>3</sup>      | 4.1   | 5.4   | 6.8   | cm <sup>3</sup>      | 104  | 132  | 180  | in <sup>3</sup>      | 6.3   | 8.0   | 10.9  |
| Maximum Injection Pressure           | bar                  | 2068 | 1584 | 1251 | psi                  | 29540 | 22620 | 17870 | bar                  | 2074 | 1939 | 1204 | psi                  | 29620 | 23410 | 17200 |
| Injection Rate                       | cm <sup>3</sup> /sec | 87   | 114  | 144  | in <sup>3</sup> /sec | 5.3   | 6.9   | 8.7   | cm <sup>3</sup> /sec | 85   | 108  | 147  | in <sup>3</sup> /sec | 5.1   | 6.5   | 8.9   |
| Screw Stroke                         | mm                   | 110  | 110  | 110  | in                   | 4.33  | 4.33  | 4.33  | mm                   | 130  | 130  | 130  | in                   | 5.12  | 5.12  | 5.12  |
| Screw Diameter                       | mm                   | 28   | 32   | 36   | in                   | 1.10  | 1.26  | 1.42  | mm                   | 32   | 36   | 42   | in                   | 1.26  | 1.42  | 1.65  |
| Screw L/D Ratio                      | L/D                  | 23   | 20   | 17.7 | L/D                  | 23    | 20    | 17.7  | L/D                  | 22.6 | 20   | 17   | L/D                  | 22.6  | 20    | 17    |
| Screw Speed                          | rpm                  | 391  | 391  | 391  | rpm                  | 391   | 391   | 391   | rpm                  | 250  | 250  | 250  | rpm                  | 250   | 250   | 250   |
| Screw Torque                         | Nm                   | 428  | 428  | 428  | in-lb                | 3788  | 3788  | 3788  | Nm                   | 676  | 676  | 676  | in-lb                | 5983  | 5983  | 5983  |
| At Pressure                          | bar                  | 170  | 170  | 170  | in-lb                | 2465  | 2465  | 2465  | bar                  | 172  | 172  | 172  | in-lb                | 2494  | 2494  | 2494  |
| Plasticizing Rate GPPS               | gm/sec               | 10   | 14   | 18   | oz/sec               | 0.3   | 0.4   | 0.6   | gm/sec               | 9    | 12   | 18   | oz/sec               | 0.3   | 0.4   | 0.6   |
| Number of Pyrometers (Barrel/Nozzle) | qty                  | 3/1  |      |      | qty                  | 3/1   |       |       | qty                  | 3/1  |      |      | qty                  | 3/1   |       |       |
| Total Heat Capacity                  | kW                   | 6.4  |      |      | kW                   | 6.4   |       |       | kW                   | 7.3  |      |      | kW                   | 7.3   |       |       |

### CLAMP

|                            |     |           |     |       |               |     |     |           |  |    |               |  |
|----------------------------|-----|-----------|-----|-------|---------------|-----|-----|-----------|--|----|---------------|--|
| Clamping Force             | kN  | 500       | ton | 56    | kN            | 500 | ton | 56        |  |    |               |  |
| Clamp Stroke               | mm  | 280       | in  | 11.0  | mm            | 280 | in  | 11.0      |  |    |               |  |
| Maximum Daylight           | mm  | 630       | in  | 24.8  | mm            | 630 | in  | 24.8      |  |    |               |  |
| Minimum Mold Height        | mm  | 150       | in  | 5.91  | mm            | 150 | in  | 5.91      |  |    |               |  |
| Maximum Mold Height        | mm  | 350       | in  | 13.78 | mm            | 350 | in  | 13.78     |  |    |               |  |
| Platen Size (H × V)        | mm  | 500 × 485 |     | in    | 19.69 × 19.10 |     | mm  | 500 × 485 |  | in | 19.69 × 19.10 |  |
| Distance Between Tie Rods  | mm  | 325 × 310 |     | in    | 12.80 × 12.20 |     | mm  | 325 × 310 |  | in | 12.80 × 12.20 |  |
| Tie Rod Diameter           | mm  | 55        | in  | 2.2   | mm            | 55  | in  | 2.2       |  |    |               |  |
| Ejector Stroke             | mm  | 100       | in  | 3.9   | mm            | 100 | in  | 3.9       |  |    |               |  |
| Ejector Force              | kN  | 3.2       | ton | 3.5   | kN            | 3.2 | ton | 3.5       |  |    |               |  |
| Dry Cycle Time (Euromap 6) | sec | 2.5       | sec | 2.5   | sec           | 2.5 | sec | 2.5       |  |    |               |  |

### GENERAL

|                                |       |                 |         |       |                  |       |         |                 |  |    |                  |  |
|--------------------------------|-------|-----------------|---------|-------|------------------|-------|---------|-----------------|--|----|------------------|--|
| Electrical Motor               | kW    | 13.2            | hp      | 18    | kW               | 13.2  | hp      | 18              |  |    |                  |  |
| Total Oil Capacity             | L     | 208             | gal     | 55    | L                | 208   | gal     | 55              |  |    |                  |  |
| Water Supply (29°C Inlet Temp) | L/min | 40              | gal/min | 10.6  | L/min            | 40    | gal/min | 10.6            |  |    |                  |  |
| Connected Load                 | kW    | 19.6            | kW      | 19.6  | kW               | 20.5  | kW      | 20.5            |  |    |                  |  |
| Overall Dimensions (L × W × H) | m     | 3.5 × 1.2 × 2.1 |         | ft    | 11.4 × 3.9 × 6.9 |       | m       | 3.5 × 1.2 × 2.1 |  | ft | 11.4 × 3.9 × 6.9 |  |
| Machine Weight                 | kg    | 2,465           | lbs     | 5,433 | kg               | 2,465 | lbs     | 5,433           |  |    |                  |  |

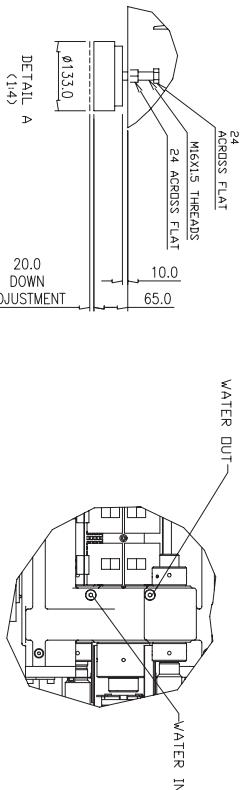
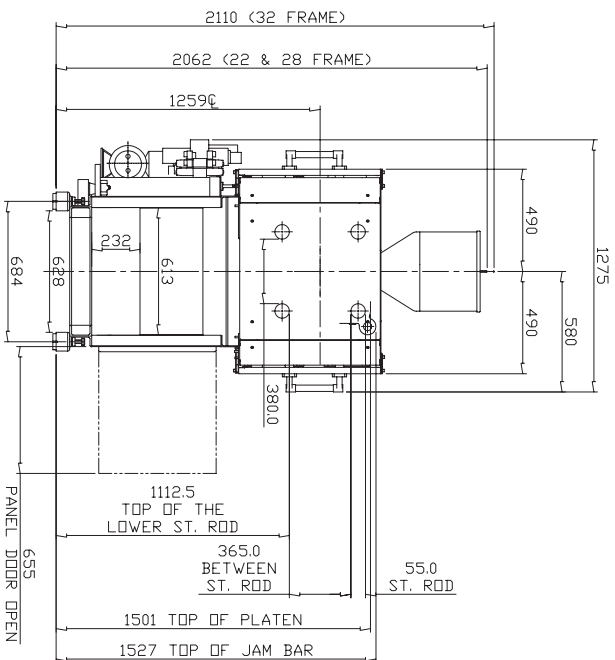
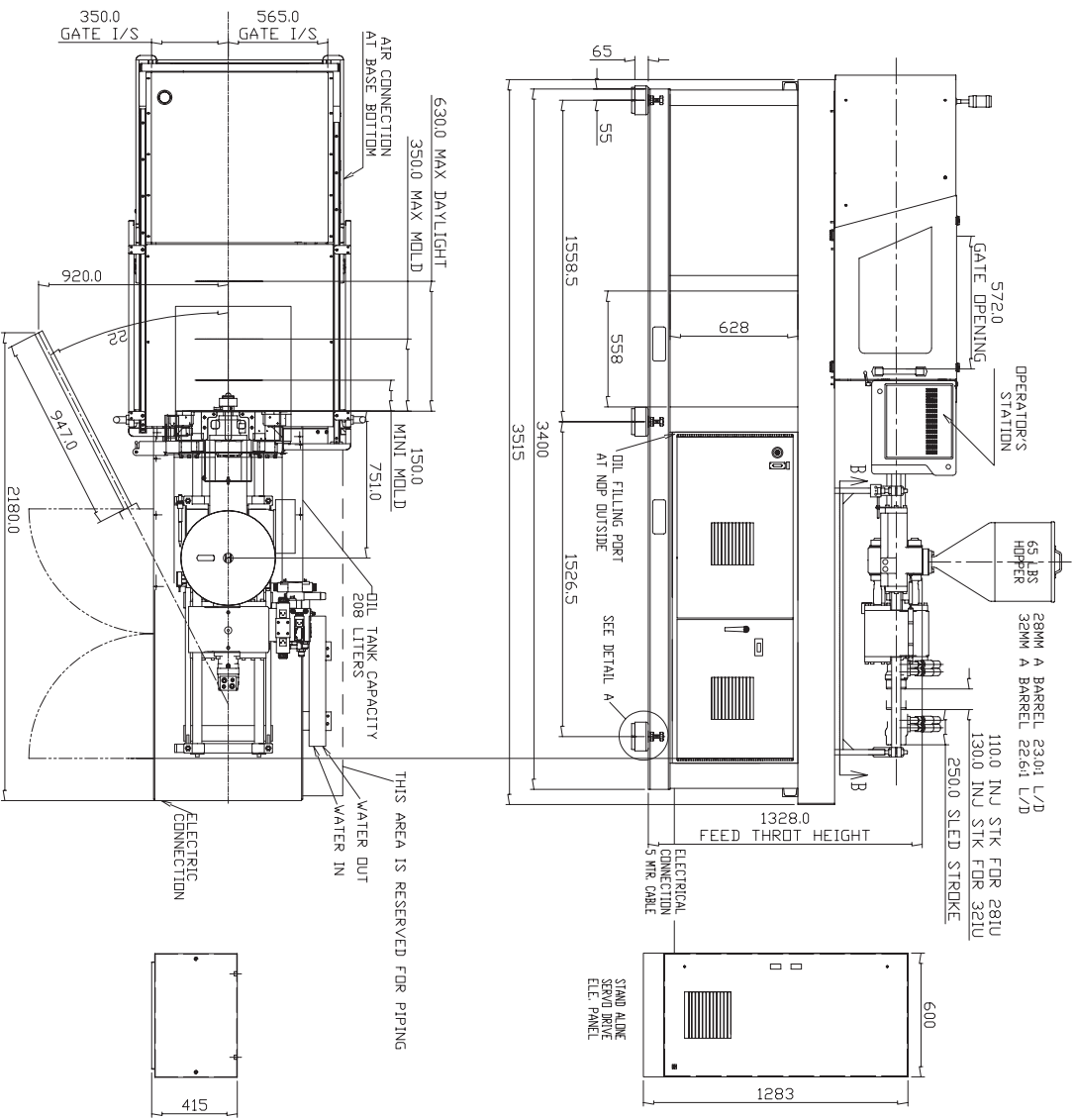
\*\*\*Note: All machine dimensions and specifications are subject to change. Values are for reference only.

# MAGNA T 55

## GENERAL ASSEMBLY DRAWINGS



MILACRON®



TOTAL MACHINE WEIGHT (IND MOLD)  
 DRY 2793 KG/ 6158 LBS/ 3.1 US TON  
 WITH OIL 2980 KG/ 6570 LBS/ 3.3 US TON

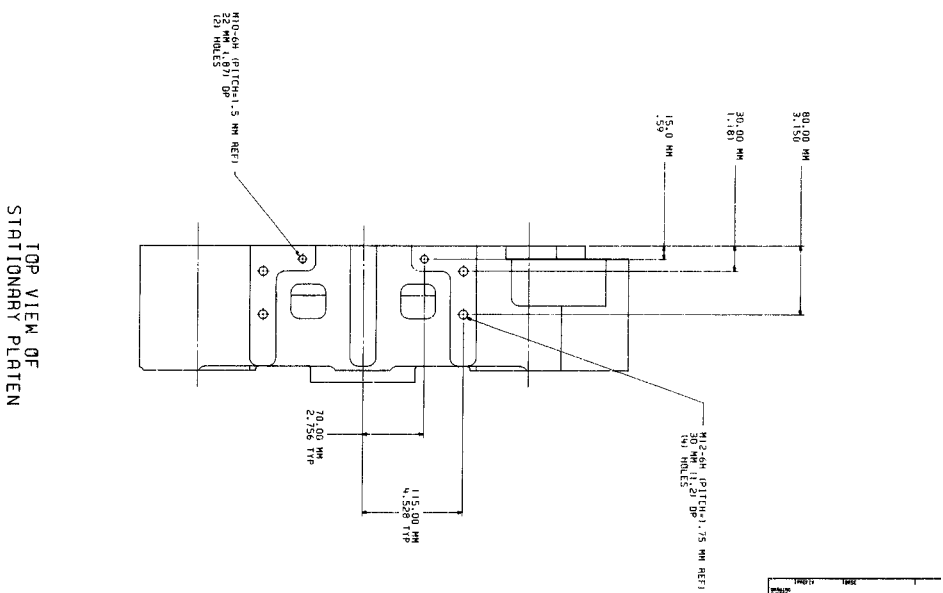
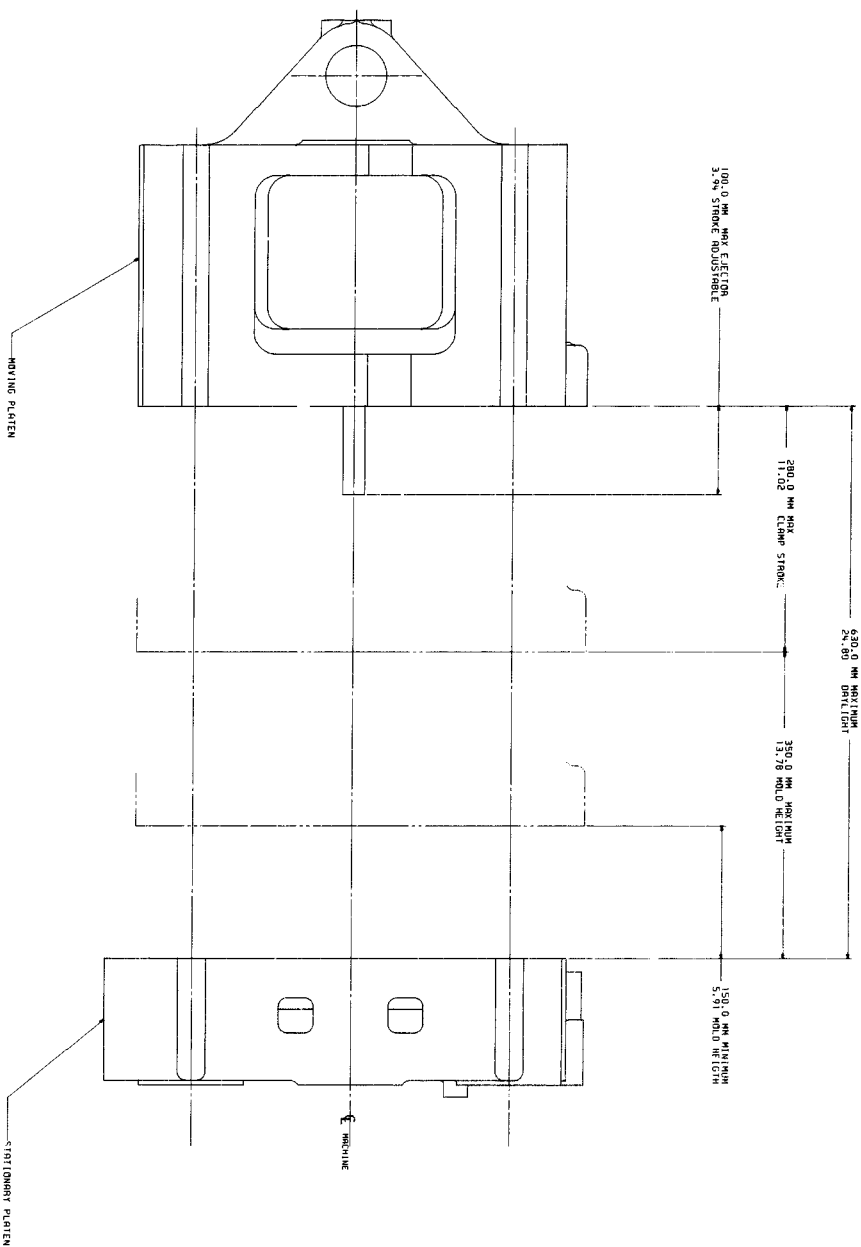
LEVEL PADS (GMI PART NO.) 5311370-1  
 LOAD RANGE: 700-1300 KG

| WEIGHT |      | WEIGHT WITH OIL AND MOLD |                             | WEIGHT WITH OIL AND MOLD |                             |
|--------|------|--------------------------|-----------------------------|--------------------------|-----------------------------|
| KG     | LB   | #LEVELING PADS           | AVERAGE PRESSURE UNDER PADS | #LEVELING PADS           | AVERAGE PRESSURE UNDER PADS |
| 2980   | 6570 | 6                        | 35.0                        | 6                        | 51.0                        |

VIEW B-B  
 SCALE 0.200  
 FEED THROT COOLING

# MAGNA T 55

## DIE SPACE DRAWINGS



# MAGNA T 55

DIE SPACE DRAWINGS



UNITS: MILLIMETERS (DIMENSIONS IN MILLIMETERS)

