

## Technical Specifications

INJECTION UNIT	2290 Frame								3470 Frame							
	Metric	A	B	C	English	A	B	C	Metric	A	B	C	English	A	B	C
Injection Capacity, Maximum GPPS	gms	861	1172	1530	oz	30.4	41.3	54.0	gms	1318	1722	2179	oz	46.5	60.7	76.9
Theoretical Displacement	cm <sup>3</sup>	905	1232	1608	in <sup>3</sup>	55.2	75.2	98.1	cm <sup>3</sup>	1385	1810	2290	in <sup>3</sup>	84.5	110.4	139.7
Maximum Injection Pressure	bar	2238	1856	1421	psi	32400	26900	20600	bar	2289	1917	1515	psi	33100	27700	21900
Injection Rate	cm <sup>3</sup> /sec	270	367	480	in <sup>3</sup> /sec	16.5	22.4	29.3	cm <sup>3</sup> /sec	272	356	450	in <sup>3</sup> /sec	16.6	21.7	27.5
Screw Stroke	mm	320	320	320	in	12.6	12.6	12.6	mm	360	360	360	in	14.2	14.2	14.2
Screw Diameter	mm	60	70	80	in	2.36	2.76	3.15	mm	70	80	90	in	2.76	3.15	3.54
Screw L/D Ratio	L/D	26.7	22.9	20	L/D	26.7	22.9	20	L/D	25.7	22.5	20	L/D	25.7	22.5	20
Screw Speed	rpm	159	159	159	rpm	159	159	159	rpm	146	146	146	rpm	146	146	146
Screw Torque @172 bar	Nm	3347	3347	3347	in-lb	30400	30400	30400	Nm	4291	4291	4291	in-lb	39000	39000	39000
Plasticizing Rate GPPS	gm/sec	43	69	93	oz/sec	1.5	2.4	3.3	gm/sec	53	72	97	oz/sec	1.9	2.5	3.4
Number of Pyrometers (Barrel/Nozzle)	qty	4/1			qty	4/1			qty	4/1			qty	4/1		
Total Heat Capacity	kW	39.6			kW	39.6			kW	57.9			kW	57.9		

### CLAMP

Clamping Force	kN	3500			ton	393			kN	3500			ton	393		
Opening Force	kN	350			ton	39			kN	350			ton	39		
Clamp Stroke	mm	675			in	26.6			mm	675			in	26.6		
Maximum Daylight	mm	1475			in	58.1			mm	1475			in	58.1		
Minimum Mold Height	mm	300			in	11.8			mm	300			in	11.8		
Maximum Mold Height	mm	800			in	31.5			mm	800			in	31.5		
Platen Size (H × V)	mm	1030 × 1030			in	40.6 × 40.6			mm	1030 × 1030			in	40.6 × 40.6		
Distance Between Tie Rods	mm	720 × 720			in	28.3 × 28.3			mm	720 × 720			in	28.3 × 28.3		
Minimum Mold Area	mm	480 × 480			in	18.9 × 18.9			mm	480 × 480			in	18.9 × 18.9		
Tie Rod Diameter	mm	130			in	5.1			mm	130			in	5.1		
Ejector Stroke	mm	200			in	7.9			mm	200			in	7.9		
Ejector Force	kN	70			ton	7.9			kN	70			ton	7.9		
Maximum Mold Weight	kg	3,950			lbs	8,708			kg	3,950			lbs	8,708		
Dry Cycle Time (Euromap 6)	sec-mm	3.0 - 504			sec - in	3.0 - 19.8			sec-mm	3.0 - 504			sec - in	3.0 - 19.8		

### GENERAL

Electrical Motor	kW	25.1			hp	50			kW	25.1			hp	50		
Total Oil Capacity	L	615			gal	162.7			L	615			gal	162.7		
Water Supply (29°C Inlet Temp)	L/min	100			gal/min	26.5			L/min	100			gal/min	26.5		
Connected Load	kW	64.7			kW	76.6			kW	83			kW	83		
Overall Dimensions (L × W × H)	m	8.2 × 2.1 × 3.1			ft	26.9 × 6.9 × 10.2			m	8.2 × 2.1 × 3.1			ft	26.9 × 6.9 × 10.2		
Machine Weight	kg	17,500			lbs	38,581			kg	18,500			lbs	40,785		

\*\*\*Note: All machine dimensions and specifications are subject to change. Values are for reference only.

# MAGNA T

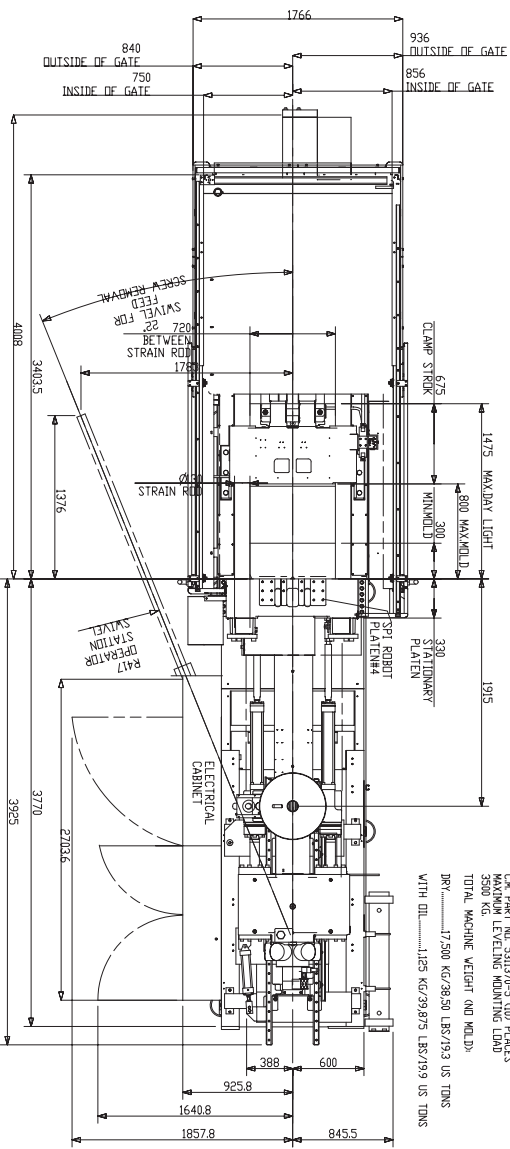
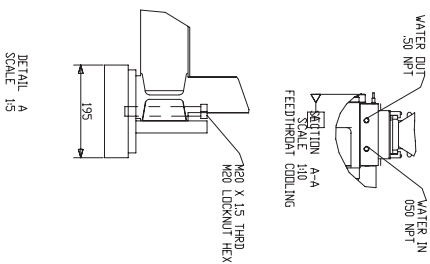
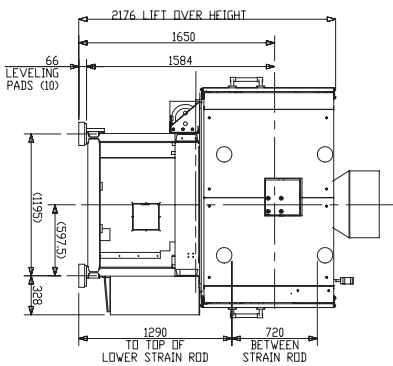
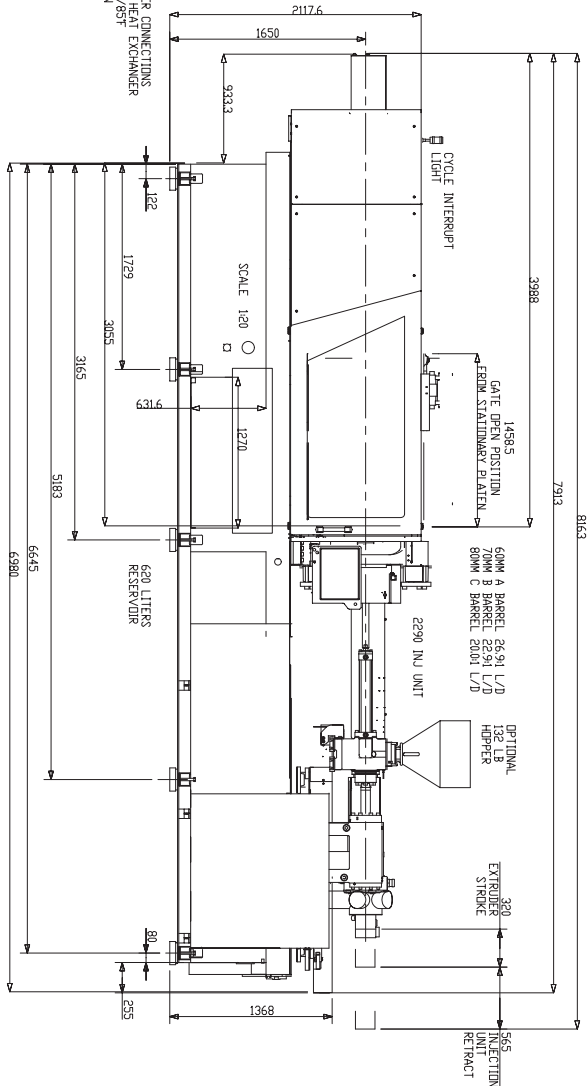
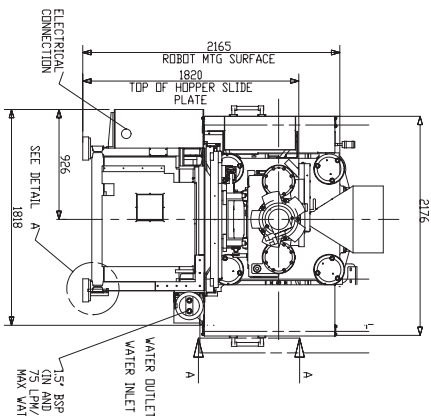
## 400

## 2290

### GENERAL ASSEMBLY DRAWINGS



# MILACRON®



CM PART NO. 591370-A (10) PLACES  
MAXIMUM LEVELING ADJUSTING LOAD  
3300 KG  
TOTAL MACHINE WEIGHT (NO H/D)  
DRY.....17500 KG/38930 LBS/19.3 US TONS  
WITH OIL.....1125 KG/2487.5 LBS/7.9 US TONS

WEIGHTS		WEIGHT WITH OIL (NO H/D)		AVG. PRESSURE UNDER PADS		AVG. PRESSURE UNDER PADS	
KG	LB	# OF LEVELING PADS	TO	N/CHE	UNDER PADS	UNDER PADS	UNDER PADS
18125	39875	10	61		883		

GENERAL ASSEMBLY MTS400-2290 INJ UNIT

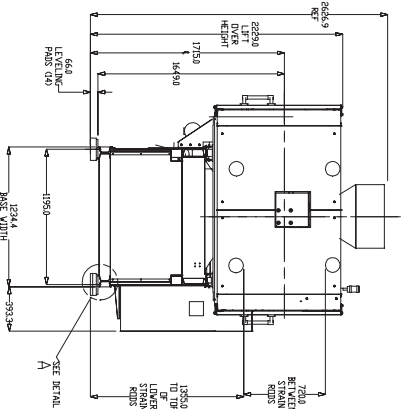
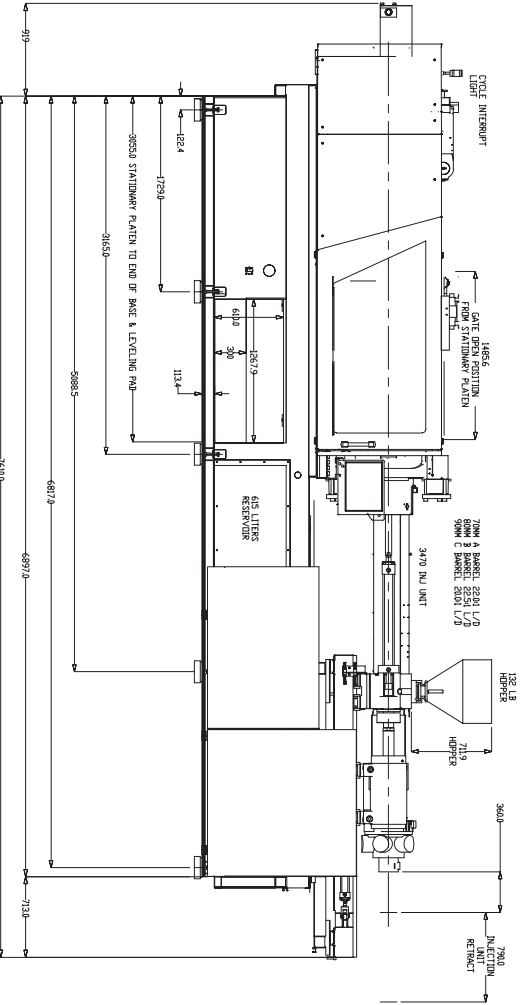
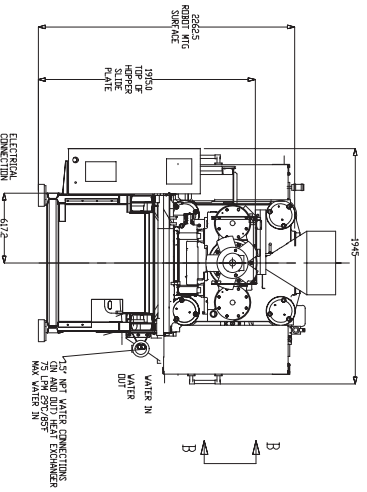
# MAGNA T

## 400 3470

### GENERAL ASSEMBLY DRAWINGS



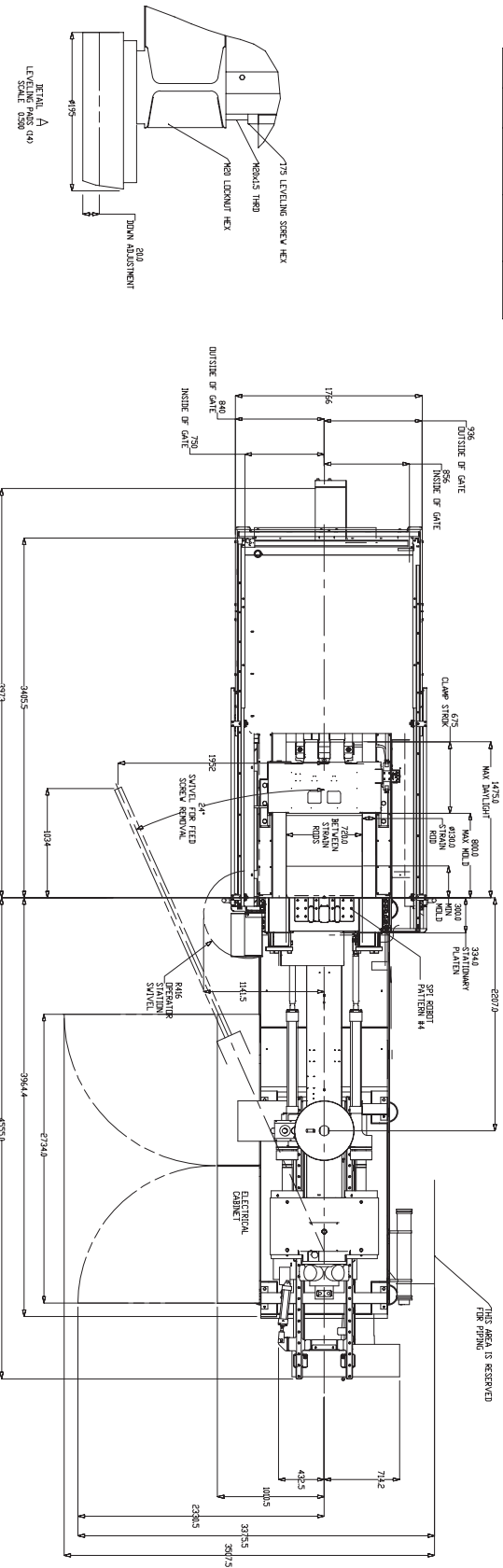
# MILACRON®



TOTAL MACHINE WEIGHT AND WEIGHTS  
 DRUM WEIGHT: 18500 KG/41298 LBS/19.5 US TONS  
 WITH DRUM: 19200 KG/42598 LBS/20.9 US TONS

WEIGHT WITH DRUM AND BELT			
WEIGHTS	# OF WEIGHTS	AVG PRESSURE (NOMINAL)	AVG PRESSURE (MAX)
KG	LB	10	51
19200	42598	10	51

MIN PART NO. 523079-3, 000, R, A, K, E, S  
 50000 KG LEVELING MOON TUBS



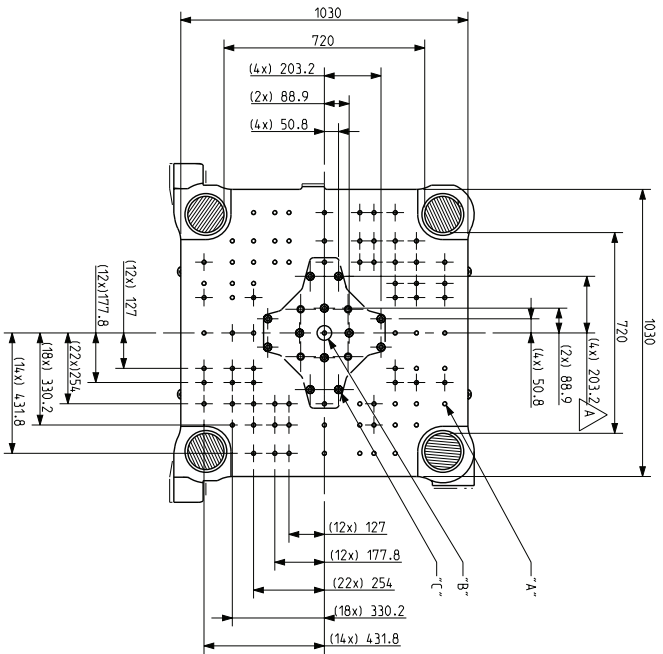
GENERAL ASSEMBLY MTS-400 3470 SERV'D INU UNIT

# MAGNA T 400

## DIE SPACE DRAWINGS



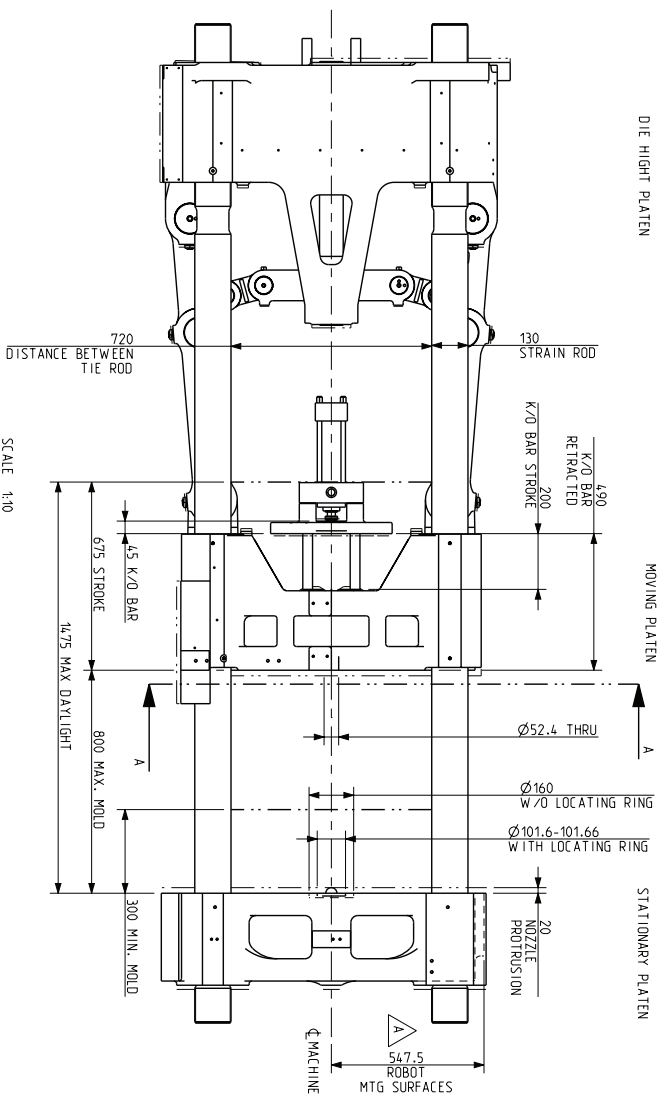
# MILACRON®



SECTION A-A

### HOLE DESCRIPTION:

- "A" - Ø0.531" 1.78" DEEP .625-11 UNC-2B.1.2" DEEP (84) PLACES ON BOTH SIDE
- "B" - MOVING PLATEN Ø52.4 (2.062") THRU BORE K/O BAR CENTER M16
- STATIONARY PLATEN Ø101.6 WITH LOCATING RING Ø160 W/O LOCATING RING
- "C" - Ø27.0 (1.063") THRU(12) HOLES K/O BAR M16 (12)



DIE HIGH PLATEN

MOVING PLATEN

STATIONARY PLATEN

SCALE 1:10

