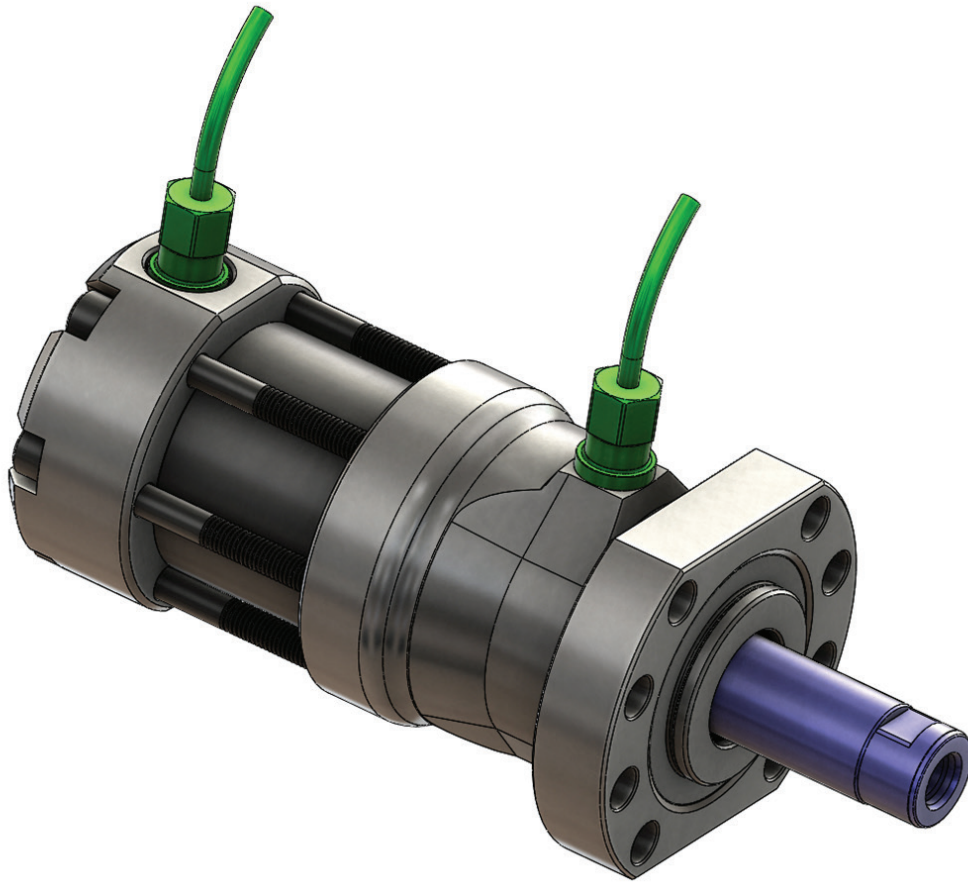


DME
Hydraulic Locking Core Pull Cylinders
WIRE-UP OPTION WHEN USING MACHINE “DRY-CONTACTS”



The DME Hydraulic Locking Core Pull Cylinder uses 3-wire, **induction** proximity sensors which require power in order to deliver a signal. Unlike classic mechanical-type switches, the inductive sensors have no moving parts. With the benefit of long life and excellent resilience and performance, these sensors are available in NPN (Standard) and PNP (upon request) types.

By using **induction** proximity sensors, maintenance/sensor replacement costs are reduced over the life of the tool.

Most current injection molding machines are already equipped to deliver power for 3-wire **induction** proximity sensors. However, some older machines are only equipped with “dry contacts” for 2-wire limit switches. To use 3-wire **induction** proximity sensors in this configuration of injection machine, a powered relay module will be required. These may be purchased from a variety of sources. Depending on the brand and module selected, it may also be required to purchase a separate power supply, depending on the input power requirements for the relay module. It is recommended to select a module that will be able to manage two separate **induction** proximity sensor circuits.

Because local electrical codes vary, it is recommended to obtain the services of a licensed electrician who is versed in all local electrical codes, and who can connect the relay circuit/power supply as needed. It is recommended that the relay module/power supply be installed into the electrical panel box of the intended molding machine.

Recommendations when using HLCP with IMM that does not provide power input to 3-wire Induction Sensors:

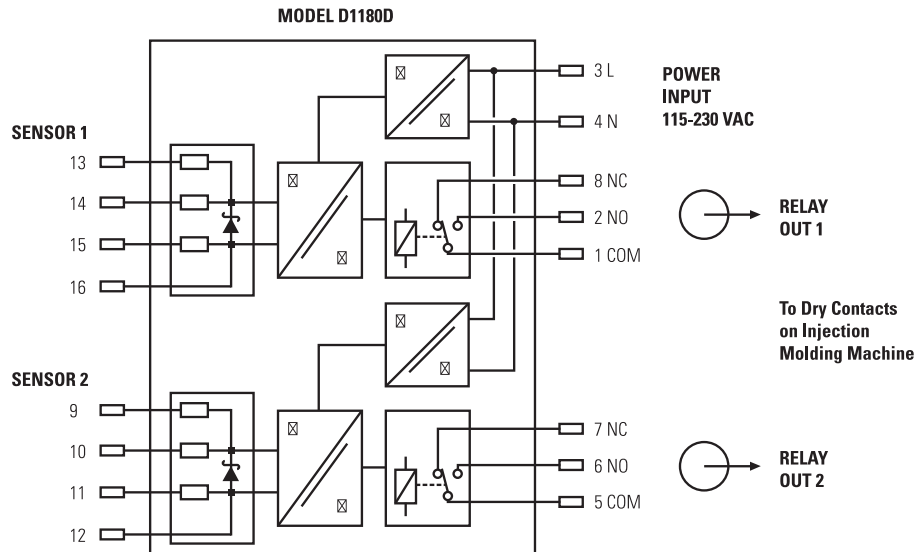
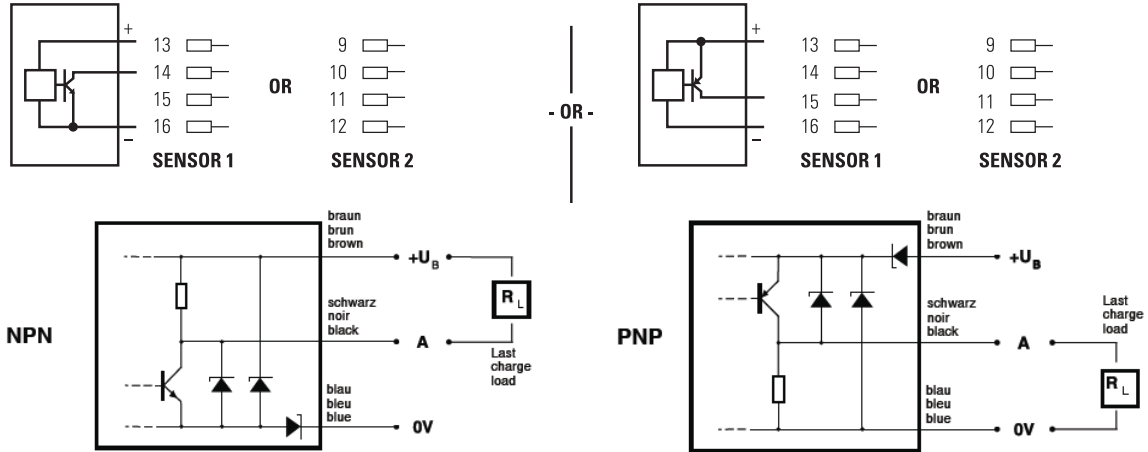
- Use suitable powered relay module. Relay will be needed for each sensor.
- If not already available on-site, obtain services of licensed electrician for wiring.
- Check which sensor type has been selected for the HLCP cylinder assembly (NPN vs PNP).
- It is recommended to mount the relay module (and power supply, if separate unit is required) inside of a suitable electrical box enclosure.
- Ensure final electrical wire-up is in accordance to all local electrical codes and safety requirements.

DME

Hydraulic Locking Core Pull Cylinders

WIRE-UP OPTION WHEN USING MACHINE "DRY-CONTACTS"

One suggested relay module is offered by G.M. International: Part# D1180D. Please contact G.M. International for product availability as well as price/quote delivery.



NOTICE: DME does not offer, market or sell this relay product, nor does DME warranty the success of this relay module product if used in conjunction with the HLCP Cylinder. User is responsible for selecting a suitable relay module or manufacturer. Other relay products may be better suited for the intended injection molding machine. Contact relay manufacturer for technical support and service. The end user is responsible to ensure all electrical wire-up is performed in compliance to all local electrical codes. The end user is responsible for addition and specification of electrical fuses. It is recommended to obtain the services of a licensed and competent electrician before installation.



World Headquarters
DME Company LLC
 29111 Stephenson Highway
 Madison Heights, MI 48071
800-626-6653 toll-free tel
248-398-6000 tel
888-808-4363 toll-free fax
www.dme.net web
sales@dme.net e-mail

DME of Canada Ltd.
 6210 Northwest Drive
 Mississauga, Ontario
 Canada L4V 1J6
800-387-6600 toll-free tel
905-677-6370 tel
800-461-9965 toll-free fax
dme_canada@dme.net e-mail

DME Europe
 DME Belgium C.V.B.A.
 Industriepark Noord
 B-2800 Mechelen
 Belgium
32-15-215011 tel
32-15-218235 fax
sales@dmeeu.com e-mail

HLCP-WU-10/16