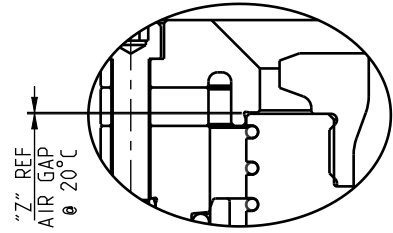
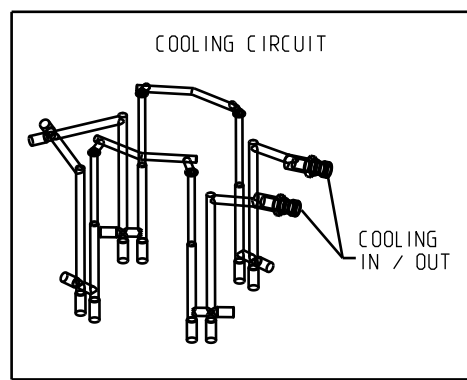
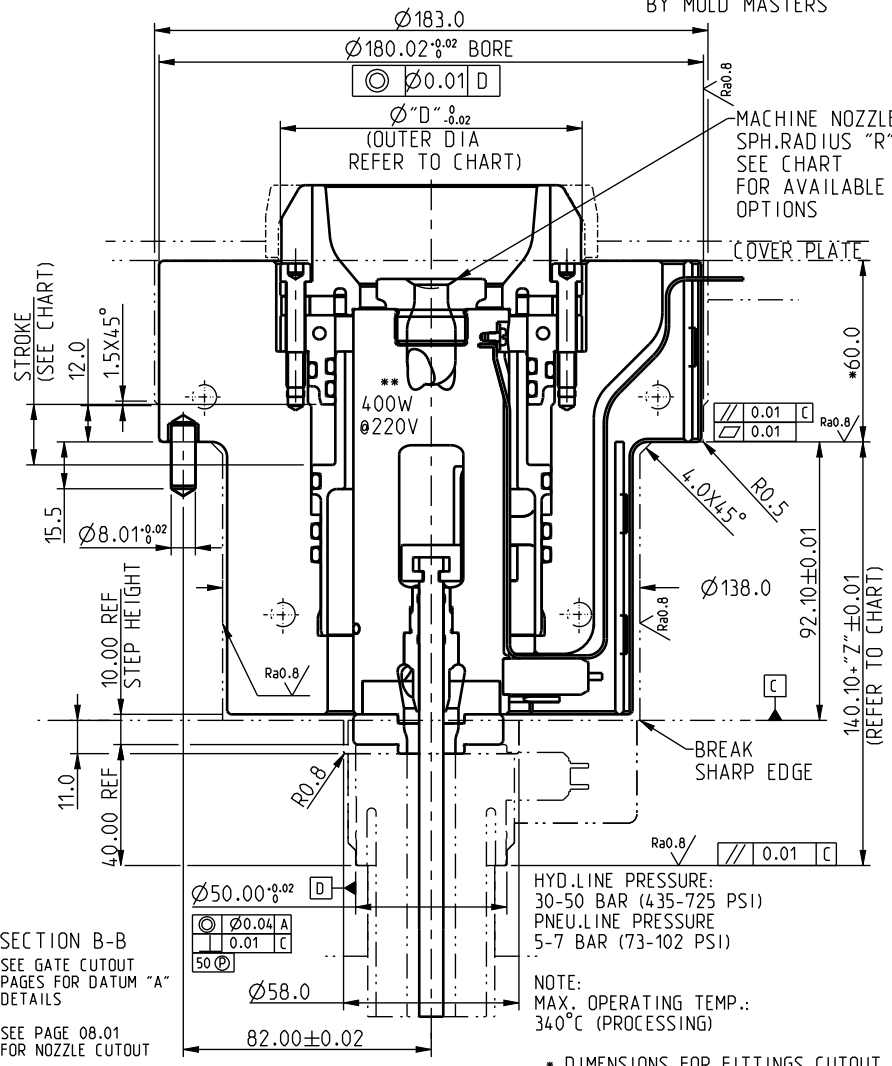


IACONHOSE-24STR (2) PROVIDED WITH 1/8-27 NPT MALE THREAD. FITTING ADAPTOR #PF-AD-R1/8-1/8NPT [ 1/8-27 NPT (FEMALE) TO 1/8-28 BSPT (MALE) ] AVAILABLE UPON REQUEST



ΔT = T <sub>p</sub> - T <sub>m</sub> (PROCESS TEMP. - MOLD TEMP.)				
T	150°C	200°C	250°C	300°C
"Z" ±0.01	0.03	0.11	0.15	0.28

SPH. RADIUS "R"	
0.00	BLANK
12.7	(12.7 MM)
15.5	(15.5 MM)
19.1	(19.1 MM)
20.0	(20.0 MM)
21.0	(21.0 MM)
36.0	(36.0 MM)
40.0	(40.0 MM)



SECTION B-B  
SEE GATE CUTOFF PAGES FOR DATUM "A" DETAILS  
SEE PAGE 08.01 FOR NOZZLE CUTOFF

• DIMENSIONS FOR FITTINGS CUTOFF  
•• REFER TO PAGE 13.08.010 FOR OTHER WATTAGE / VOLTAGE EQUIVALENTS

PACKAGE NAME (xxxx=SPH. RAD.)	Ø"D"	ØPIN	STROKE
IA1001HxxxxIP	101.34	5	15
IA1001HxxxxIP1		5	20
IA1001HxxxxIP2		6.3	15
IA1001HxxxxIP3		6.3	20
IA1001HxxxxIP4		8	15
IA1001HxxxxIP5	8	20	
IA1001HxxxxMP	109.75	5	15
IA1001HxxxxMP1		5	20
IA1001HxxxxMP2		6.3	15
IA1001HxxxxMP3		6.3	20
IA1001HxxxxMP4		8	15
IA1001HxxxxMP5	8	20	
IA1001HxxxxM1P	99.80	5	15
IA1001HxxxxM1P1		5	20
IA1001HxxxxM1P2		6.3	15
IA1001HxxxxM1P3		6.3	20
IA1001HxxxxM1P4		8	15
IA1001HxxxxM1P5	8	20	