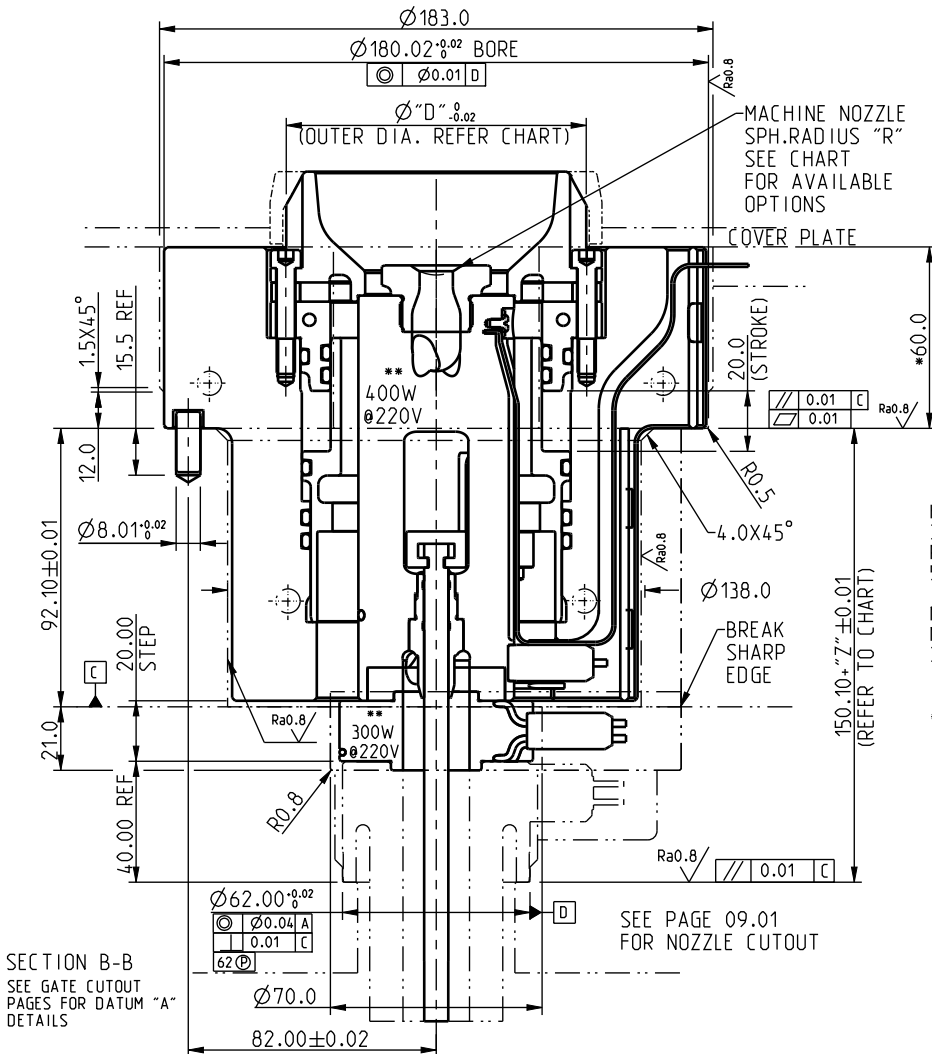


$$\Delta T = T_p - T_m$$

(PROCESS TEMP. - MOLD TEMP.)

Δ T	150°C	200°C	250°C	300°C
"Z" ±0.01	0.07	0.17	0.22	0.37

SPH. RADIUS "R"	
0.00	BLANK
12.7	(12.7 MM)
15.5	(15.5 MM)
19.1	(19.1 MM)
20.0	(20.0 MM)
21.0	(21.0 MM)
36.0	(36.0 MM)
40.0	(40.0 MM)



HYD. LINE PRESSURE: 30-50 BAR (435-725 PSI)
 PNEU. LINE PRESSURE 5-7 BAR (73-102 PSI)

NOTE: MAX. OPERATING TEMP.: 340°C (PROCESSING)

* DIMENSIONS FOR FITTINGS CUTOUT
 ** REFER TO PAGE 13.08.010 FOR OTHER WATTAGE / VOLTAGE EQUIVALENTS

PACKAGE NAME (xxxx=SPH. RAD.)	Ø"D"	ØPIN
IA1101Mxxxx1P	101.34	6.3
IA1101Mxxxx1P1		8
IA1101Mxxxx1P2		9.5
IA1101MxxxxMP	109.75	6.3
IA1101MxxxxMP1		8
IA1101MxxxxMP2		9.5
IA1101MxxxxM1P	99.80	6.3
IA1101MxxxxM1P1		8
IA1101MxxxxM1P2		9.5