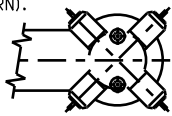
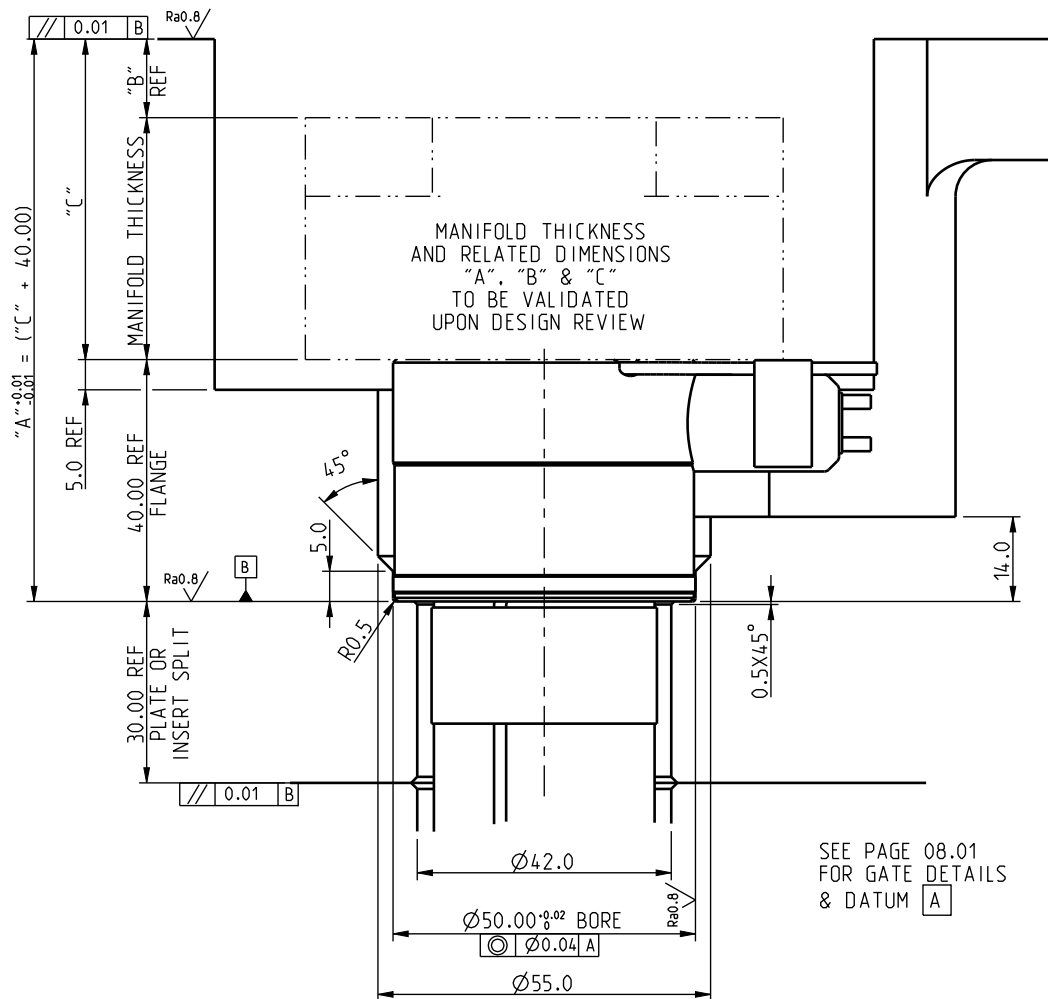
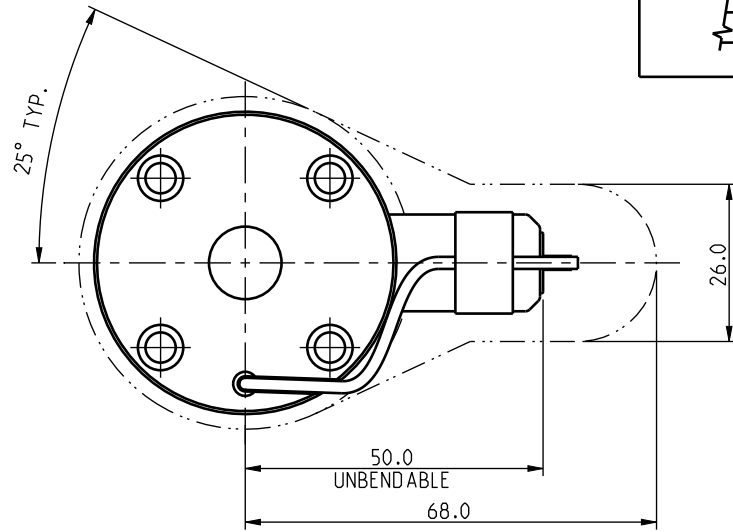


TERMINAL END OF NOZZLE MAY BE ROTATED IN POSITIONS SHOWN RELATIVE TO THE BOLT LOCATIONS (SEE MANIFOLD PAGES FOR BOLT PATTERN).



USED WITH	"B" REF
PRESSURE PAD	5.00
VALVE DISK	12.00
HEATER PLATE	13.0



SEE PAGE 08.01 FOR GATE DETAILS & DATUM A