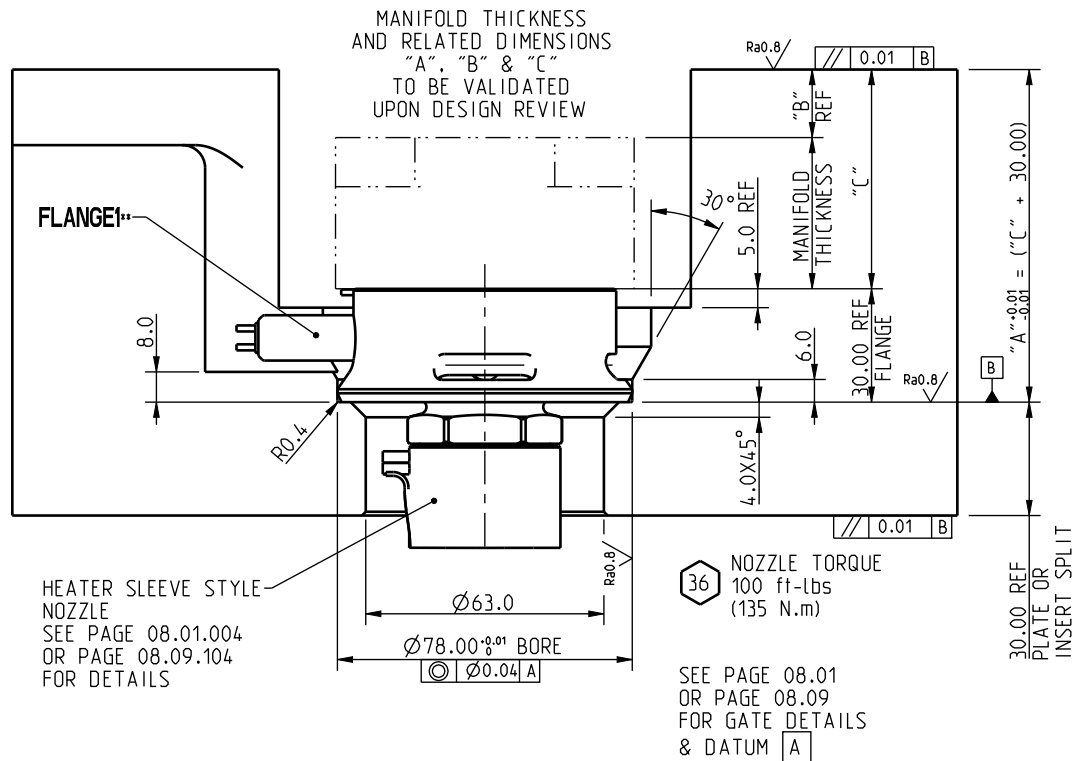


USED WITH	"B" REF
PRESSURE PAD	5.00
VALVE DISK	12.00
HEATER PLATE	13.0



FLANGE P/N	Ø "D" RUNNER	** POWER @ 220V
FLANGE119	Ø12.00	525W
FLANGE120	Ø16.00	525W

** REFER TO PAGE 13.08.010 FOR OTHER WATTAGE / VOLTAGE EQUIVALENTS.