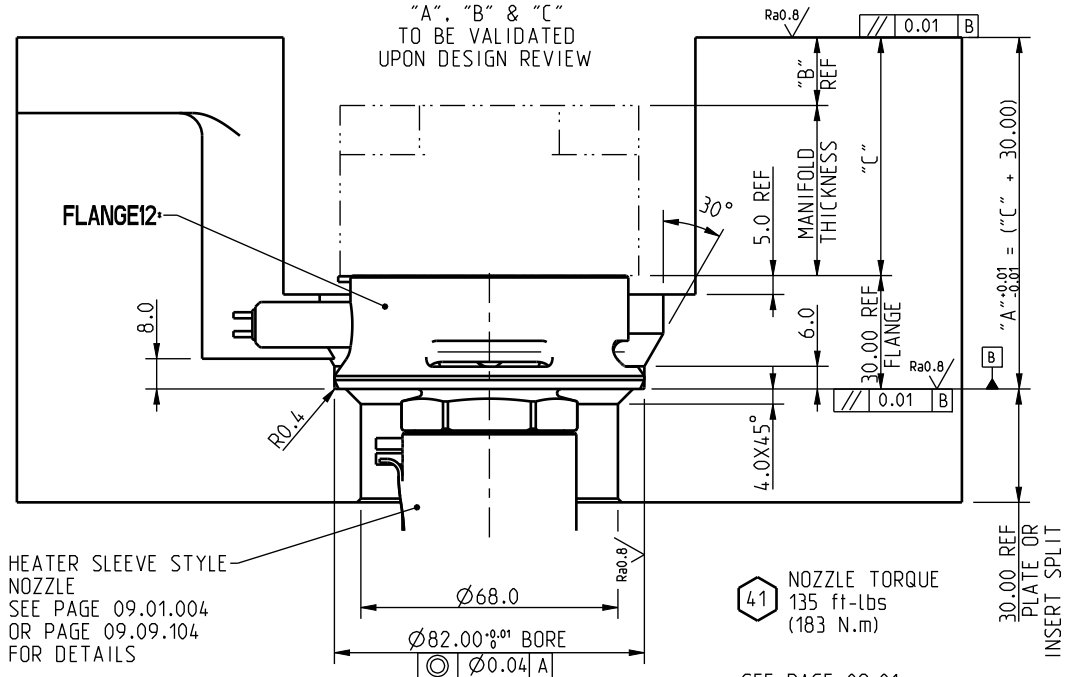


USED WITH	"B" REF
PRESSURE PAD	5.00
VALVE DISK	12.00
HEATER PLATE	13.0

MANIFOLD THICKNESS AND RELATED DIMENSIONS "A", "B" & "C" TO BE VALIDATED UPON DESIGN REVIEW



HEATER SLEEVE STYLE NOZZLE
SEE PAGE 09.01.004 OR PAGE 09.09.104 FOR DETAILS

NOZZLE TORQUE
41 135 ft-lbs (183 N.m)

SEE PAGE 09.01 OR PAGE 09.09 FOR GATE DETAILS & DATUM A

FLANGE P/N	Ø"D" RUNNER	** POWER @ 220V
FLANGE121	Ø18.00	525W
FLANGE122	Ø22.00	525W

** REFER TO PAGE 13.08.010 FOR OTHER WATTAGE / VOLTAGE EQUIVALENTS.