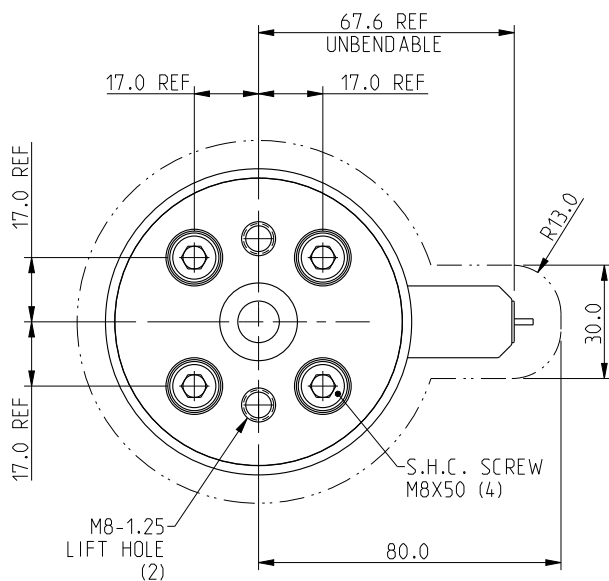
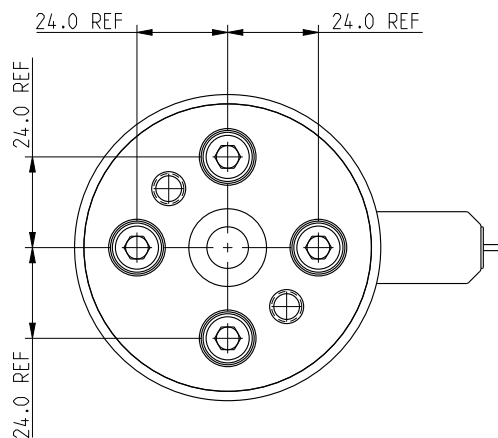


**BP122\*\*\*\* / BP123\*\*\*\***



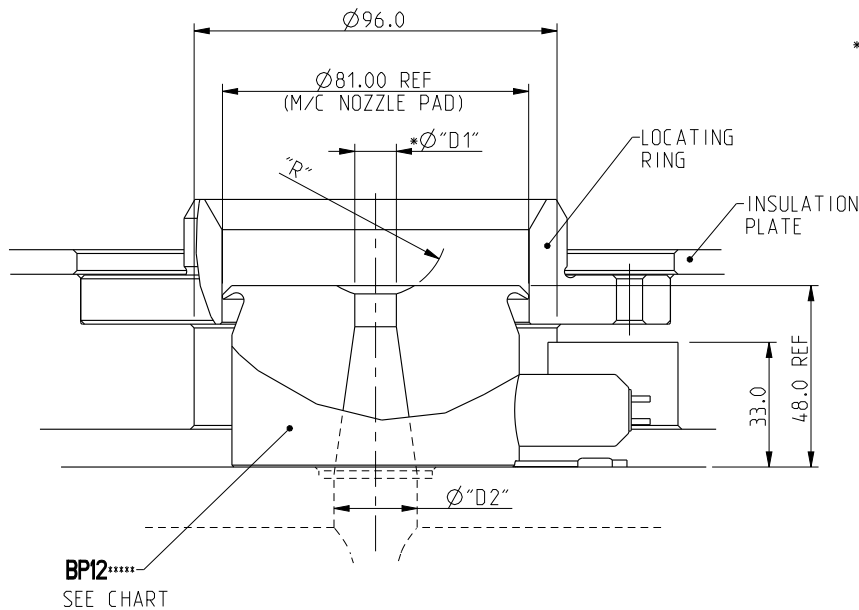
**BP124\*\*\*\***



\* INJECTION MACHINE NOZZLE DIAMETER SHOULD BE  $\varnothing 1.0$  MM LESS THAN INLET DIAMETER ( $\varnothing$ "D1") PROVIDED.

SEE PAGE 10.01.060 FOR LOCATING RING OPTIONS & CUTOUT

\*\* REFER TO PAGE 13.08.010 FOR OTHER WATTAGE / VOLTAGE EQUIVALENTS



HEATED BACKPLATE OPTIONS			
HEATED BACKPLATE #	** POWER @ 220V	$\varnothing$ "D1" REF	$\varnothing$ "D2" REF
BP122****	1200W	$\varnothing 11.00$	$\varnothing 22.00$
BP123****	1200W	$\varnothing 11.00$	$\varnothing 16.00$
BP124****	1200W	$\varnothing 11.00$	$\varnothing 16.00$

SPHERICAL RADIUS OPTIONS	
****	"R"
BL	BLANK
.500	12.7
.750	19.1
15.5	15.5
40.0	40.0