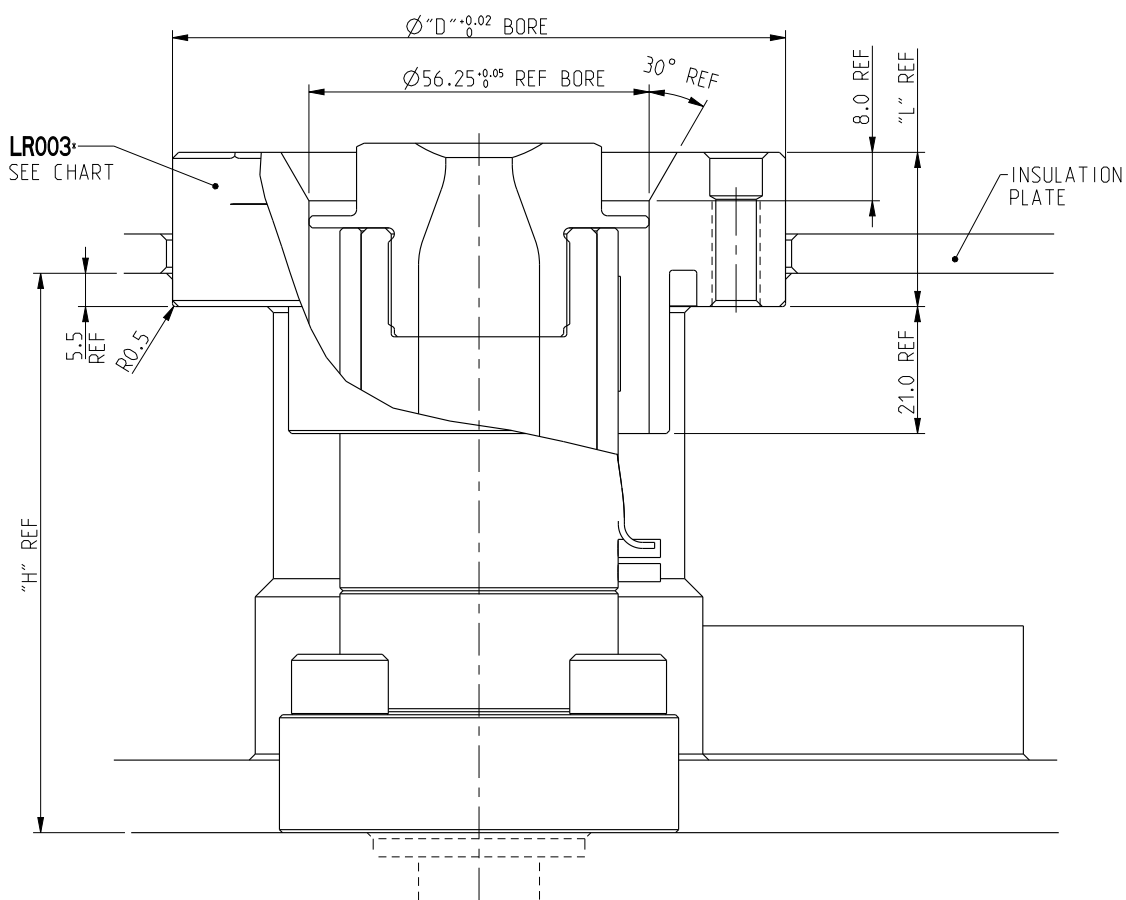


SEE PAGE 10.01.110 &
10.01.112 FOR INLET
EXTENSION OPTIONS



LOCATING RING OPTIONS			
P/N	"H" REF	"L" REF	Ø"D ^{+0.02} BORE
LR0031	79.5 ~ 385.0	18.5	Ø101.36
LR0032		18.5	Ø109.77
LR0033	72.5 ~ 385.0	25.5	Ø101.36