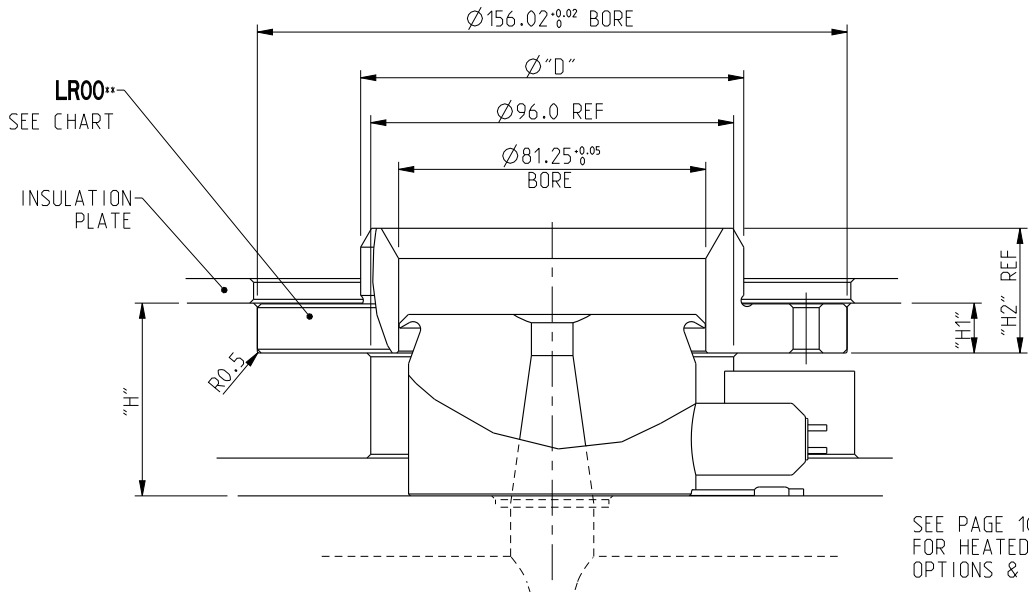
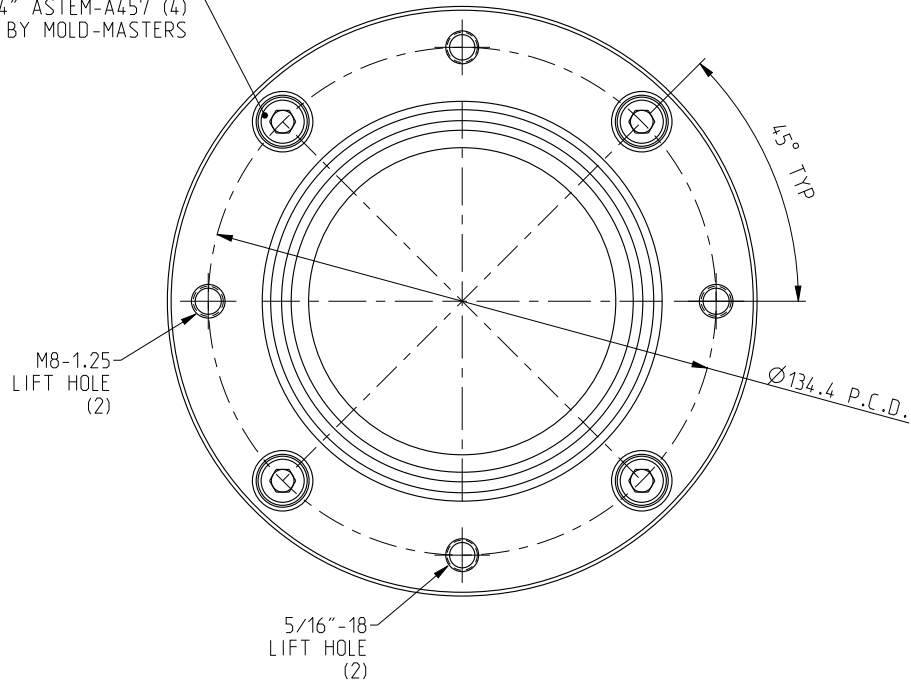


S.H.C. SCREW M8X20 GRADE 12.9 (4)
OR 5/16"-18X3/4" ASTEM-A457 (4)
NOT SUPPLIED BY MOLD-MASTERS



SEE PAGE 10.01.120
FOR HEATED BACKPLATE
OPTIONS & CUTOUT

LOCATING RING OPTIONS					
LOCATING RING #	Ø"D"	"H"	"H1"	"H2"	USED WITH HEATED BACKPLATE #
LR0070	Ø101.34	70.0 ~ 75.0	13.20	33.0	BP122**** OR BP123**** OR BP124****
LR0071	Ø109.75				
LR0081	Ø101.34	100.0 ~ 110.0	11.70	31.5	
LR0082	Ø109.75				
LR0086	Ø101.34	51.0 ~ 55.0	13.20	33.0	
LR0087	Ø109.75				