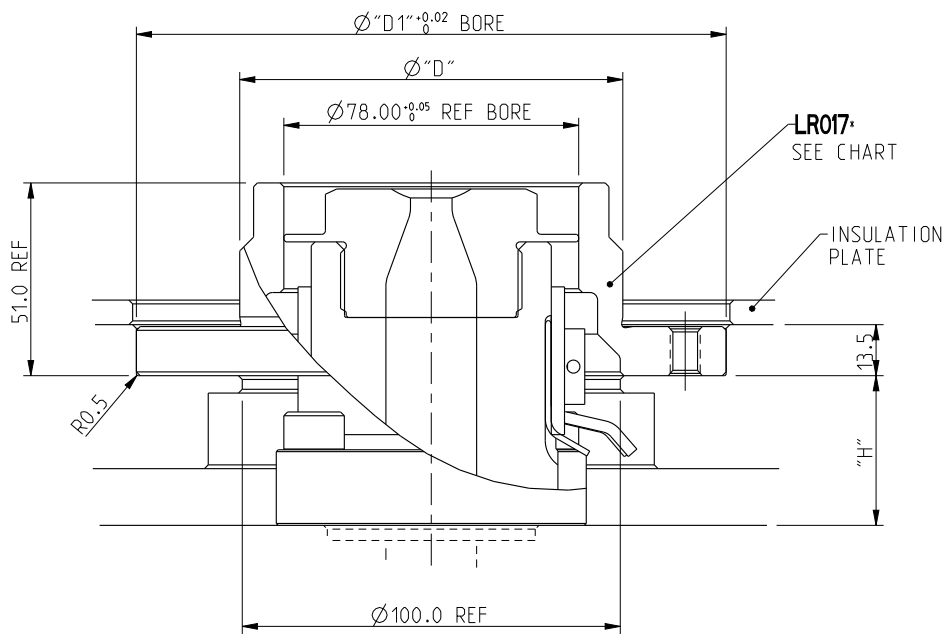


SEE PAGE 10.01.100 & 10.01.102 FOR INLET EXTENSION OPTIONS



LOCATING RING OPTIONS					
P/N	"H"	Ø"D"	Ø"D1" +0.02/0 BORE	Ø"D2" P.C.D.	USED WITH
LR0172	39.6 ~ 52.3	Ø101.34	Ø156.02	Ø134.35	IE29075**** OR IE30075**** OR IE31075**** OR IE33075****
LR0173		Ø109.75	Ø156.02	Ø134.35	
LR0174		Ø126.75	Ø165.02	Ø145.66	