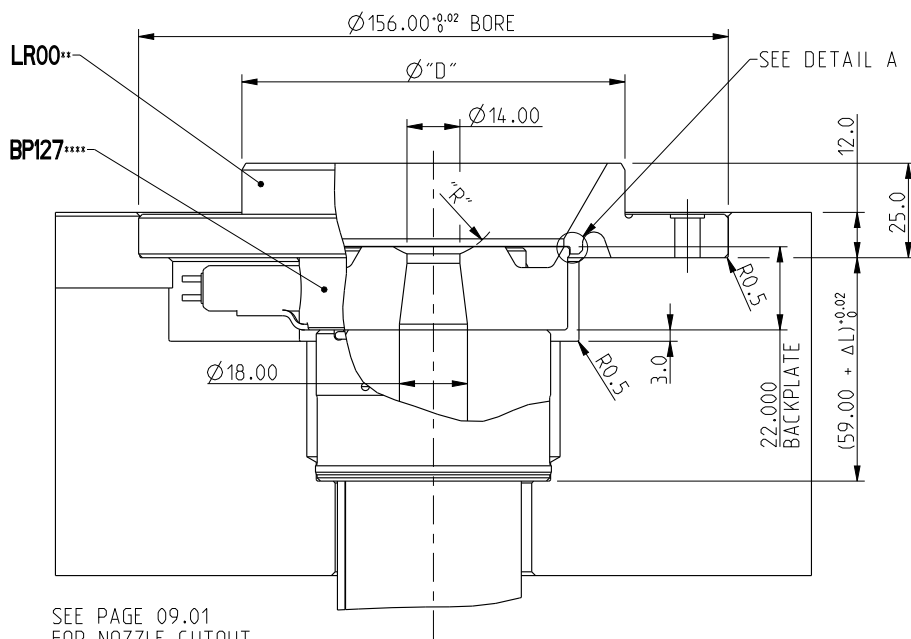


DETAIL A



BACKPLATE OPTIONS	** POWER @ 220V	"R"
BP127BL	525W	BLANK
BP127.500	525W	12.7
BP127.750	525W	19.1
BP12740.0	525W	40.0

** REFER TO PAGE 13.08.010 FOR OTHER WATTAGE / VOLTAGE EQUIVALENTS.

LOCATING RING OPTIONS		
P/N	Ø"D"	USED WITH:
LR0059	Ø101.34	Ø101.60 BORE IN FIXED PLATTEN.
LR0060	Ø109.75	Ø110.00 BORE IN FIXED PLATTEN.

BACKPLATE #	AIR GAP ΔL AT ROOM TEMPERATURE			
	@ ΔT (PROCESS TEMP. - MOLD TEMP.)			
	150°C	200°C	250°C	300°C
BP127****	0.01	0.04	0.07	0.09