

## EASY, ECONOMICAL SINGLE CAVITY VALVE GATING

Engineered to deliver exceptional part quality with today's challenging abrasive, corrosive, shear and temperature sensitive resins such as PC, PC-ABS and PMMA. Critical for demanding Automotive Lens, Medical, Personal Care and Technical molding applications.

### KEY FEATURES

#### IN-LINE FLUSH MOUNT DESIGN

- Buried in plates for added protection.
- Even force distribution.
- Valve gated for larger process window.

#### FULL STAINLESS STEEL CONSTRUCTION

- Greatest resistance to corrosive and abrasive resins.
- Helps prevent contamination defects.
- Extends service life.

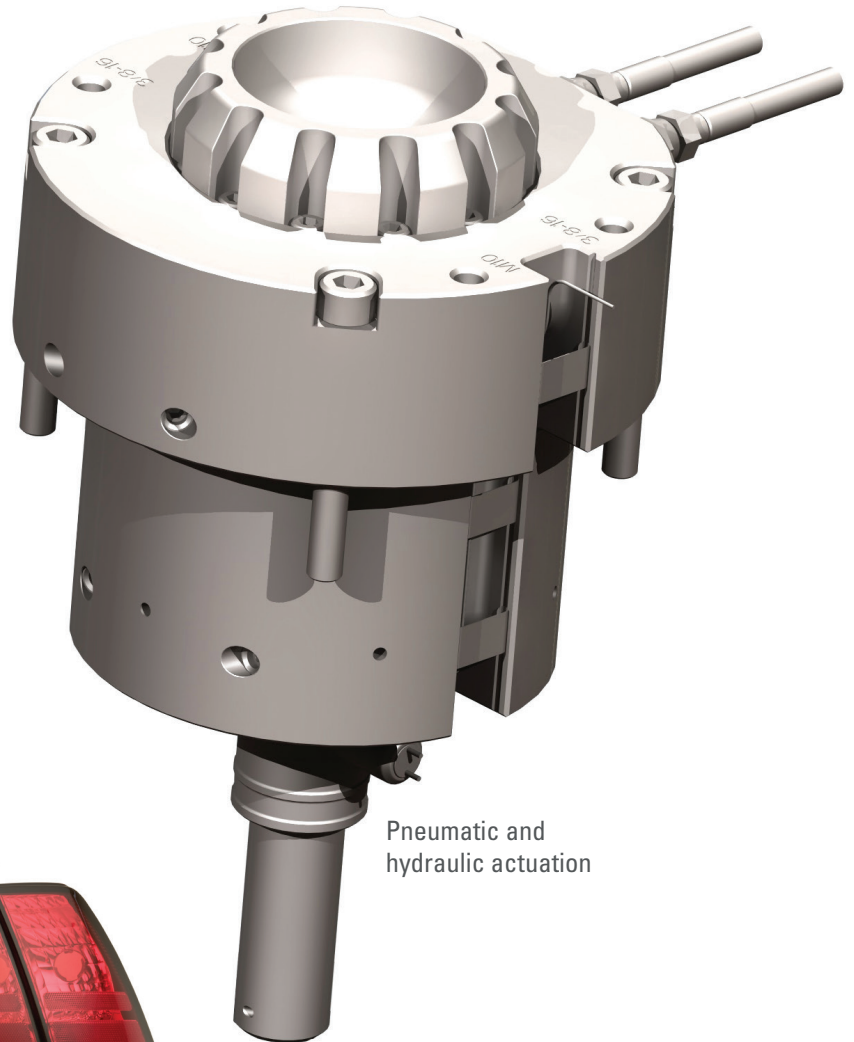
#### BRAZED HEATER TECHNOLOGY

- Excellent thermal profile (10% max variance\*) for tight process control.
- Ideal for molding shear and temperature sensitive resins.
- High reliability.
- Eliminates spare part costs and minimizes downtime.

#### IN-PRESS SERVICE CAPABILITIES

- Quickly and easily maintained.

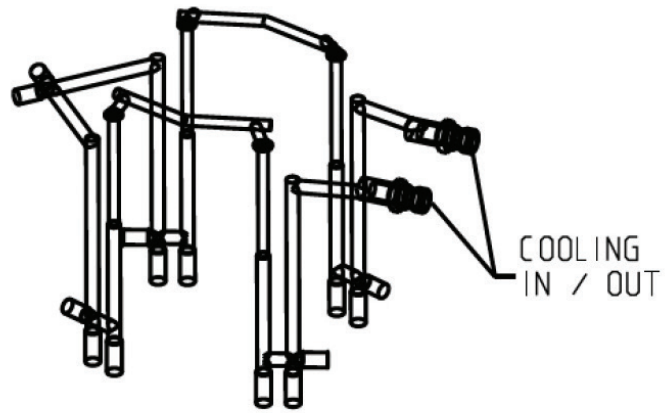
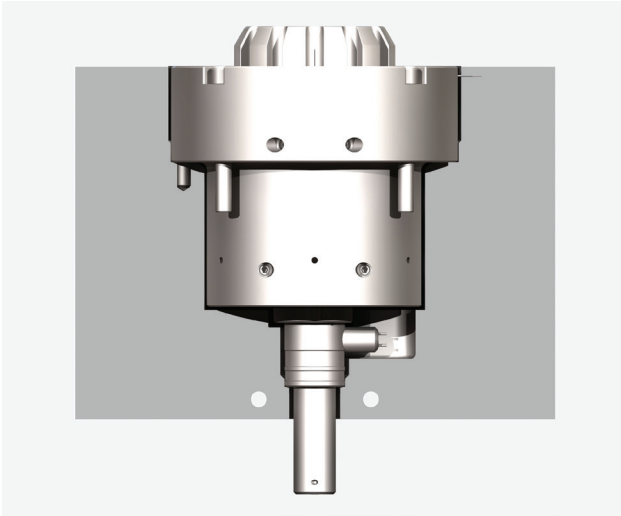
*\*Based on internal testing.*



Pneumatic and  
hydraulic actuation



## FLUSH MOUNT DESIGN



COOLING CIRCUIT

### STANDARD 4-CHANNEL INTEGRATED WATER COOLING CIRCUIT

- Minimizes component misalignments from heat expansion.
- Maintains system integrity.
- Ensures long term reliability.

## SPECIFICATIONS

Accu-Line FM	
Available Strokes	10, 15, 20 mm
Body Styles	B1 only
Spherical Radius Range	0 - 40 mm
Locating Ring Dia (mm)	99.80, 101.34, 109.75
Bore Diameter	180.02 mm
Actuation	Pneumatic or Hydraulic

## GATING STYLES

- Accu-Valve MX
- Accu-Valve CX
- C-Valve (+Extended)
- Hot Valve (+Extended)

Compatible Nozzles		
Series	Dura+	Master-Series
Size Range	Deci, Hecto, Mega	Deci, Hecto
Length Range	28 - 290 mm	35 - 488 mm
Runner Ø Range	12 - 22 mm	11 - 16 mm
Valve Pin Ø Range	4.0 - 9.5 mm	4.0 - 8.0 mm
Shot Range*	50 - 5,000 g	50 - 3,500 g

Available\*\*



**Dura<sup>+</sup>**  
**Master<sup>®</sup>**  
series

\*\* Conditions/limitations apply.

\*Application dependant.



## TempMaster<sup>™</sup> series *Mt*

For peak performance and superior results, Mold-Masters recommends using TempMaster MT controllers with Accu-Line systems. Unlock your operations full potential with TempMaster.