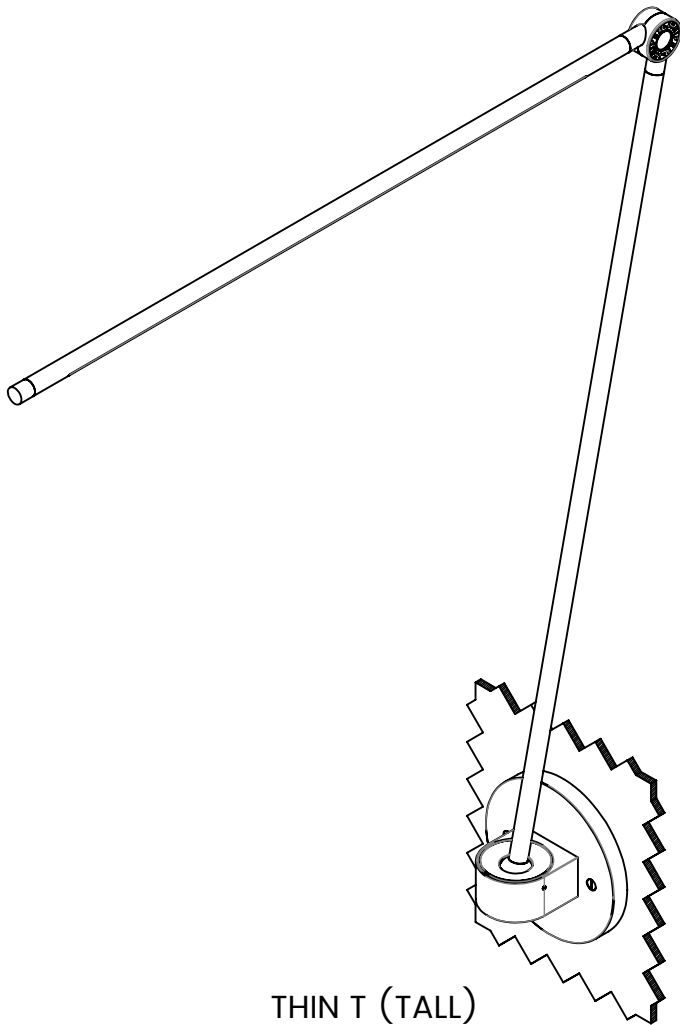


JUNIPER[®]

THIN WALL MOUNT LAMP - Remote Installation Guide



THIN T (TALL)



THIN S (STANDARD)

CARE INSTRUCTIONS

Brass will patina over time like other natural metals and regular care is required in order to retain the quality finish of your THIN fixture for years to come.

Gently wipe with a damp cloth to remove dirt, dust, and fingerprints.

Do not use any chemical cleaning solution.

Use indoors only.

WARNING

**A LICENSED ELECTRICIAN SHOULD PERFORM INSTALLATION.
DISCONNECT MAIN POWER AT THE SOURCE PRIOR TO INSTALLATION.**

INSTRUCTIONS MEANT FOR A REMOTE CLASS 2 DRIVER.

1

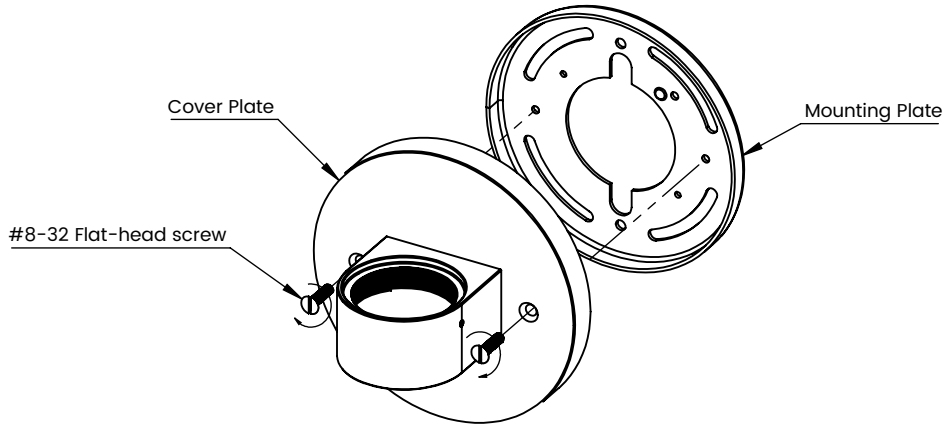


FIGURE 1

Remove the #8-32 Flat-head screws from the cover plate to release the mounting plate.

2

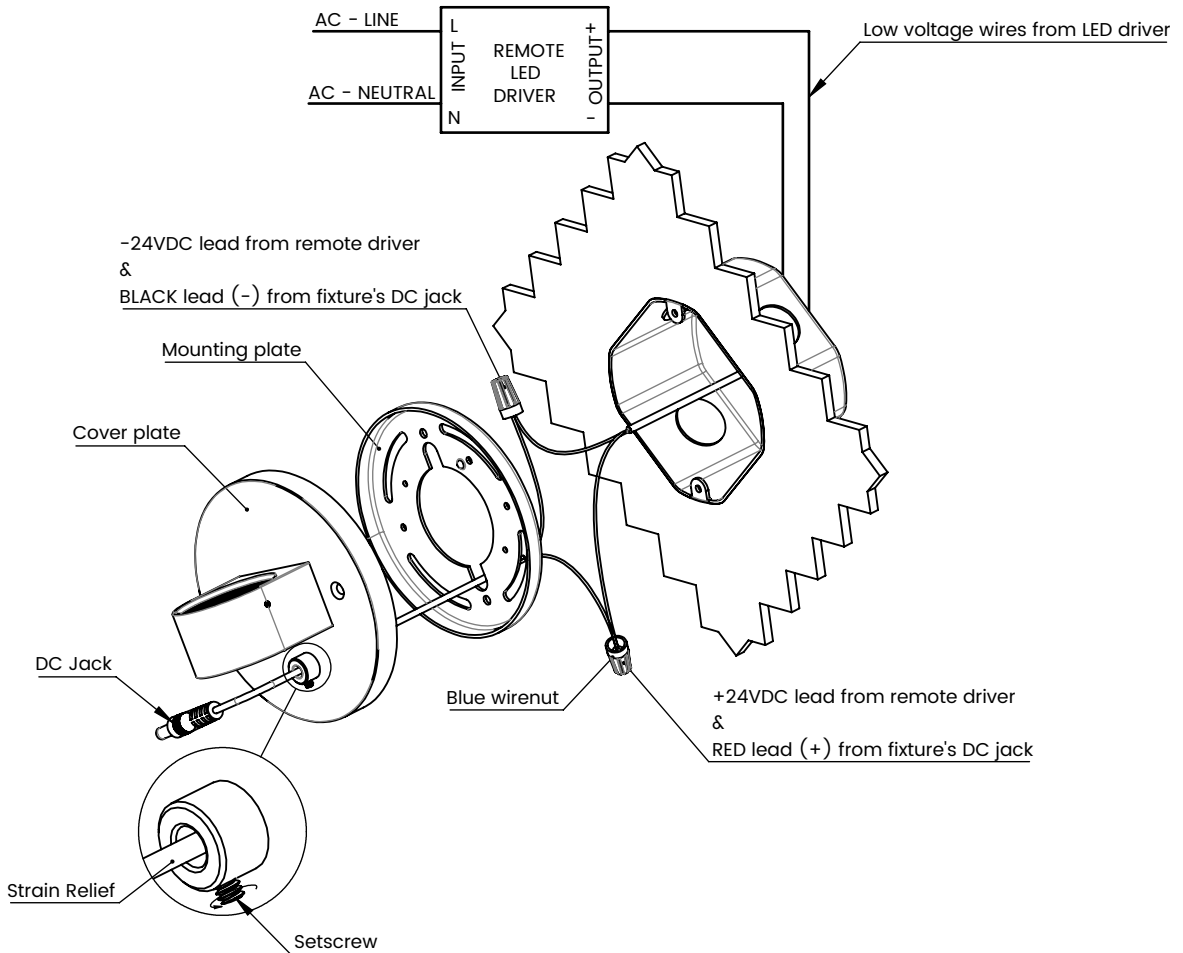


FIGURE 2

Loosen the set screw on the strain relief. Pass DC jack cable through the strain relief as shown. Connect wires according to the diagram. (BLUE wirenut provided).

Wires to and from the driver are not included. Tighten the setscrew on strain relief after adjustment.

3

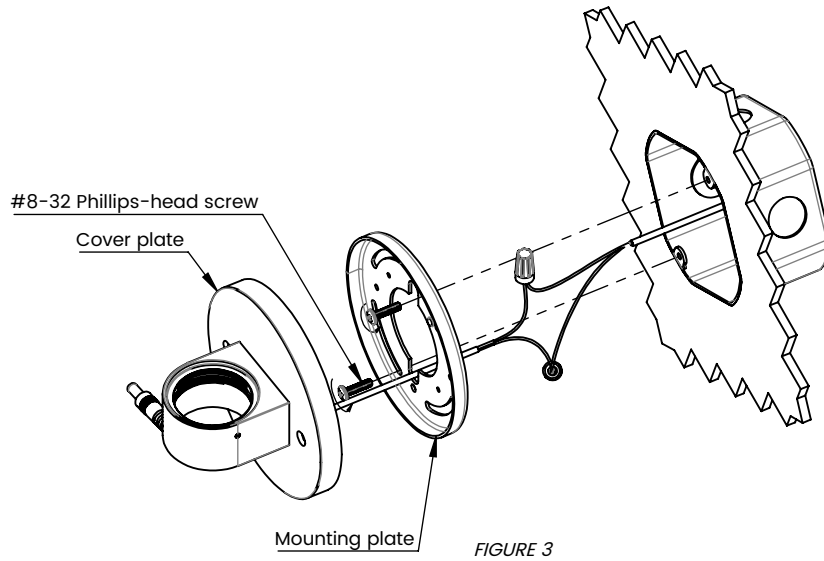


FIGURE 3

A. Place wires inside junction box and attach mounting plate with junction box using provided #8-32 Phillips-head screws.

4

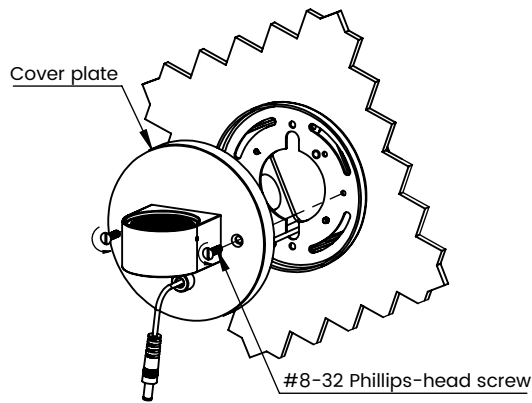


FIGURE 4

Install the cover plate on the junction box using provided #8-32 flat-head screws.

5

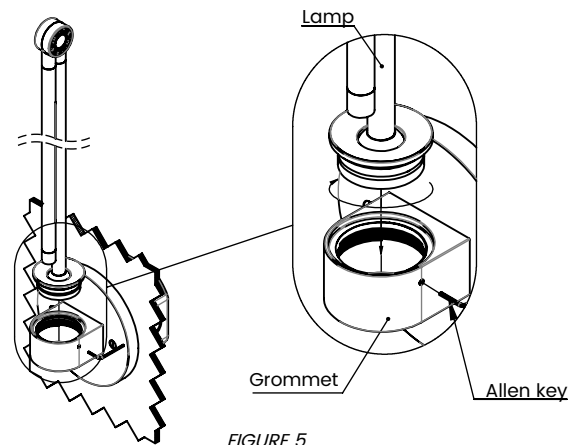


FIGURE 5

Screw the lamp into the grommet and use the provided Allen key to tighten the set screw in order to secure the lamp in place. **Keep the lamp in a closed position as depicted above during installation.**

6

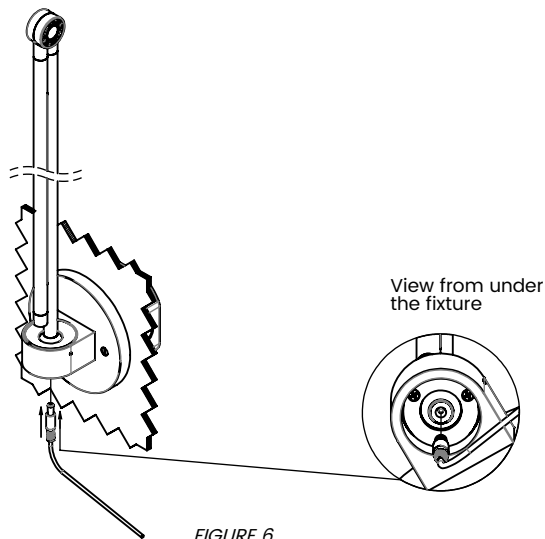


FIGURE 6

Insert the DC jack into the plug located at the bottom of the fixture.

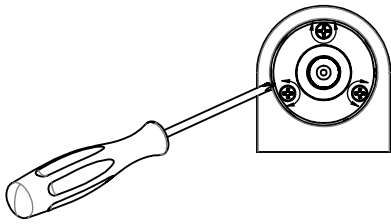
USING AND ADJUSTING THE LAMP

FIGURE 7

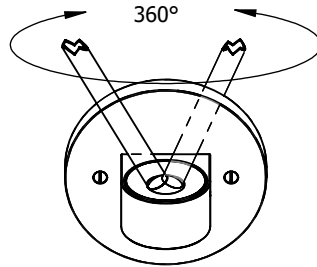


FIGURE 8

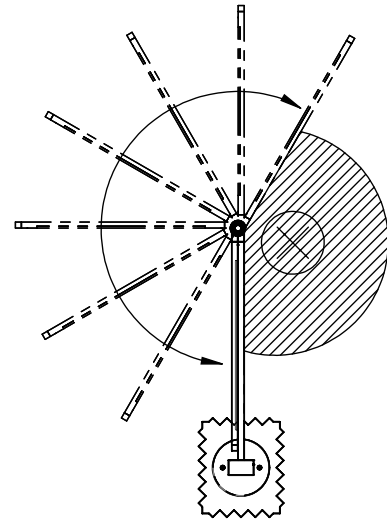


FIGURE 9

The lamp pivots around its central hinge and also rotates on its ball joint at the base of the lamp. **Be cautious not to force the lamp outside of its usable range.** The tension of the ball joint can be adjusted by tightening or loosening the three screws on the bottom of the lamp as shown in figure 7.