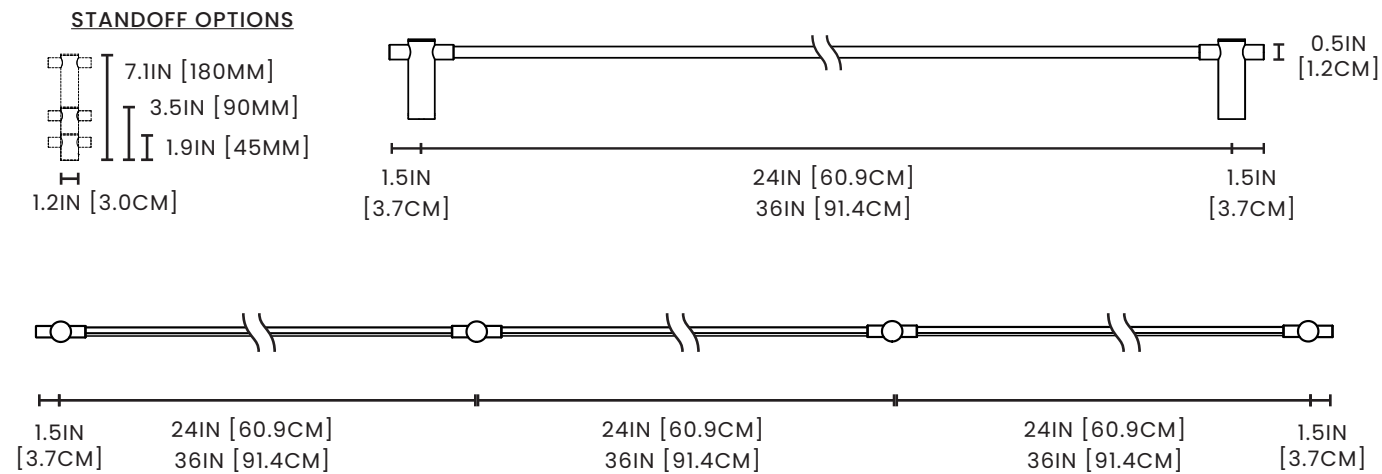
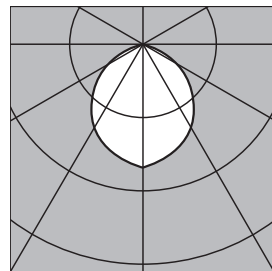


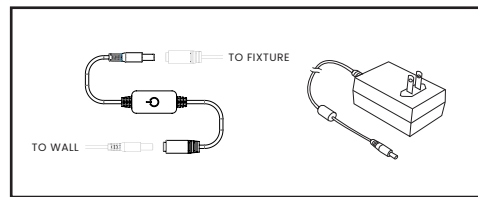
TECHNICAL | THIN Surface Mount



24IN AND 36IN LIGHT SEGMENTS MAY BE COMBINED IN THE SAME FIXTURE
STANDARD MAX LENGTH PER FIXTURE IS (3) 36" LIGHT SEGMENTS 110.8IN [281.5CM]
FOR LONGER RUNS, PLEASE CONTACT US



FROSTED LENS
90° BEAM ANGLE



OPTIONAL PLUG-IN POWER SUPPLY WITH
IN-LINE TOUCH DIMMER & 3-METER CORD

ILLUMINATION

CRI 95+, R9 90+ standard
2700K, 3000K, 3500K, 4000K options

24" segment 600LM delivered / 6.8W
36" segment 920LM delivered / 9.6W
90LM/W
50,000 hrs LED life L80

POWER

120VAC Input Voltage
24VDC Class 2 Constant Voltage
Contact Juniper for alternate inputs

FINISHES

Satin Brass, Black Oxide, Satin Nickel

MATERIALS

Solid brass, PMMA

DIMMING

2-Wire/TRIAC/Forward Phase
0-10V
3-Wire
See Power Supply section for details
Contact Juniper for alternate requirements

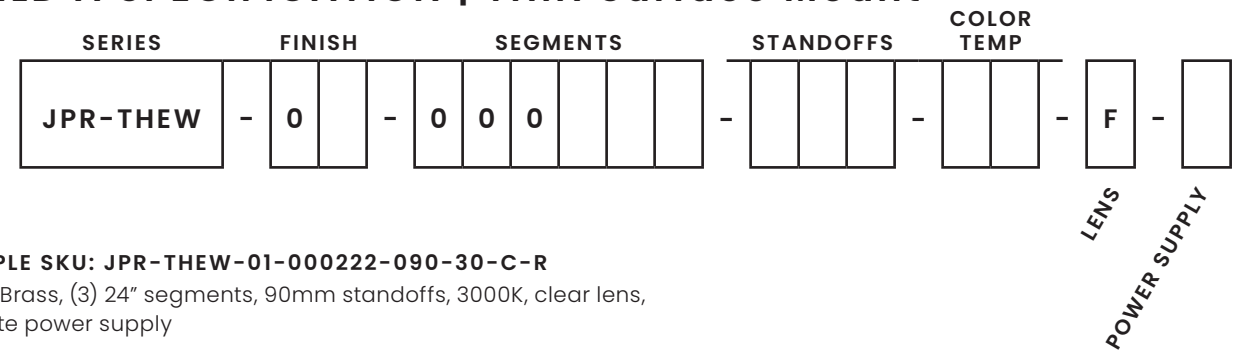
MOUNTING

Wall brackets mount directly to surface

SYSTEM RUN

Limited by power supply wattage only
2 X 18AWG in-wall rated cable
recommended for remote power supply installation (provided by electrician)

BUILD A SPECIFICATION | THIN Surface Mount



SAMPLE SKU: JPR-THEW-01-000222-090-30-C-R

Satin Brass, (3) 24" segments, 90mm standoffs, 3000K, clear lens, remote power supply

CODE DEFINITIONS

FINISHES



01 Satin Brass 02 Black Oxide 03 Satin Nickel 40 Bronze

SEGMENTS

- 0 no segment
- 2 24 inch segment - 600LM delivered / 6.8W
- 3 36 inch segment - 920LM delivered / 9.6W

Note: each digit represents a single segment, e.g. 000023 is (1) 24" segment and (1) 36" segment, 0000333 is (3) 36" segments

Contact Juniper for custom segment lengths

STANDOFF LENGTH

- 045 45mm Standoffs - for undercabinet
- 090 90mm Standoffs - for vanity and display lighting
- 180 180mm Standoffs - for picture lighting

COLOR TEMPERATURE

- 27 2700K
- 30 3000K
- 35 3500K
- 40 4000K

LENS

F Frosted - 90° beam angle

POWER SUPPLY OPTIONS

R. REMOTE

STANDARD 120-277V INPUT - 2-WIRE/TRIAC/FORWARD PHASE/ELV

STANDARD 120-277V INPUT - 0-10V

LUTRON 120V INPUT - TRIAC DIMMING (40W) (UPCHARGE)

LUTRON 120-277V INPUT - 3-WIRE (UPCHARGE)

P. PLUG-IN

24VDC, 1.67A POWER SUPPLY

Project	Type
Notes	