

AXIS SYSTEM



JUNIPER®

TABLE OF CONTENTS

AXIS SYSTEM OVERVIEW

Features and Benefits.	4
Finishes.	6

LIGHTING COMPONENTS

LINEAR SUSPENSIONS — X / P / V	8
System Specifications.	10
DIRECT-INDIRECT LINEAR SUSPENSIONS — T	18
System Specifications.	20
WALL SCONCE	24
System Specifications.	26

EXTRAS

Color and Photometrics.	30
Power Supplies.	31
Juniper Power Hub. Local Power Supply.	32
Finishes.	34

AXIS System. Structure. Substance. Light.

The AXIS System reimagines industrial extrusions as architectural sculpture. Inspired by the 19th-century channels, tees, and angles that defined the machine age, each fixture transforms structural geometry into a refined language of light.

At its core, AXIS shares the same advanced light engine as our THIN System—delivering exceptional color accuracy and clarity through precisely engineered optics. Light moves through faceted acrylic lenses with sculpted diffusion, revealing a balance of strength and subtlety.

Crafted from solid brass or precision aluminum, AXIS represents Juniper’s most sophisticated material palette. Signature models are milled from solid brass, while AXIS Pro introduces high-performance aluminum in our durable Pro finishes. Select luminaires feature a distinctive hardwood appliqué, adding warmth and texture to the system’s architectural composition.

Custom-machined fasteners remain visible by design — expressing material honesty and the beauty of precision assembly.

Designed in Connecticut. Made in Connecticut.

Material Palette.

Extruded brass, aluminum, and hardwood finishes radiate from a central channel.

Linear LED arrays illuminate through faceted acrylic lenses. Available in suspended and wall-mounted configurations.

Superior Light Quality.

CRI 95+, R9 90+.
84 LM/W delivered average.
Dims to 0.1%, flicker-free.

Dimming.

Forward Phase (TRIAC) or Reverse Phase (ELV).
0–10 V.
Select fixtures with optional separate control for direct and indirect lighting.

Multiple Lengths.

12", 24", 36", 48".

Power Supply.

24 VDC.
Remote or surface-mounted options available.

Color Temperatures.

2700 K, 3000 K, 3500 K, 4000 K.

Simple Installation.

Field-adjustable suspensions or direct-mount wall brackets.
Easy installation with surface-mounted power supplies.

03/11/06/2025



03/11/06/2025

Finishes.

Brass extrusions.

Core precision-machined in performance aluminum.

High-performance coatings.

SGN Signature Finish Options: Satin Brass, Black Oxide, Satin Nickel, English Bronze, Black Walnut, Natural Ash, Ebony.

PRD Pro Finish Options: Matte Pure White, Matte Black, Satin Aluminum, Custom.

Copyright 11/06/2025



Copyright 11/06/2025

0pat:11/06/2025

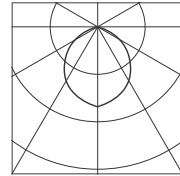


0pat:11/06/2025

OVERVIEW

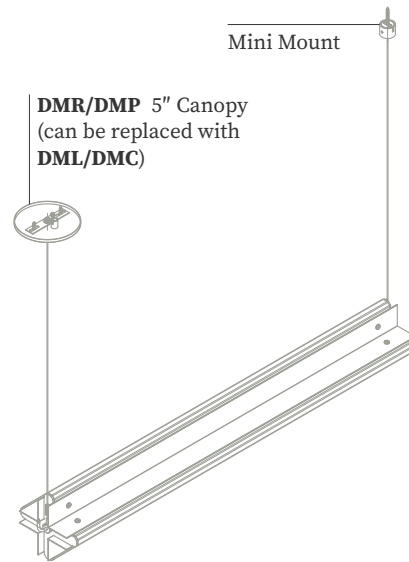
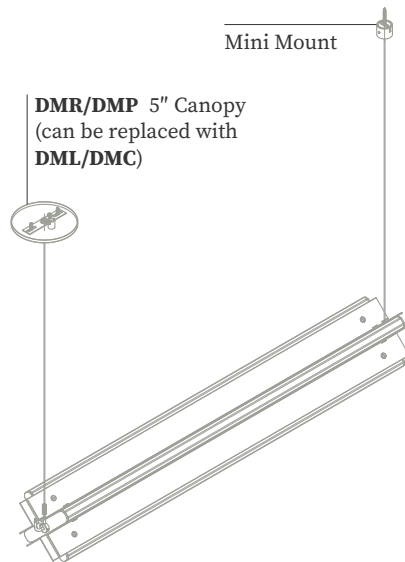


- Extruded brass, aluminum, and hardwood finishes radiating from a central channel
 - Angled profiles hold perpendicular arrays of light in X or P (Plus) configurations
 - 24 VDC output Class 2 constant voltage power supply
 - 120–277 VAC input voltage
 - Dimming options: Forward Phase (TRIAC), Reverse Phase (ELV), or 0–10 V
 - Field-adjustable aircraft cables with clear-jacketed co-axial silver cord
 - Adjustable suspension length up to 115"
 - Direct-mount to ceiling
- CRI 95+
 - R9 90+
 - 84 LM/W delivered efficacy
 - 1250 LM per linear foot (maximum)
 - Faceted acrylic lens with 90° beam spread



Example (X):
JPR-AXIS-AXSX-XXX-36-XX-XX
 36" nominal

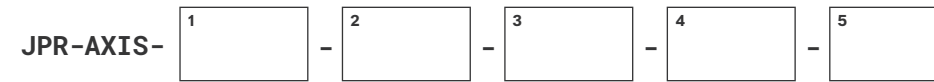
Example (P):
JPR-AXIS-AXSP-XXX-36-XX-XX
 36" nominal



Maximum cable length is 114 in | 2896 mm.



SPECIFICATION BUILDER

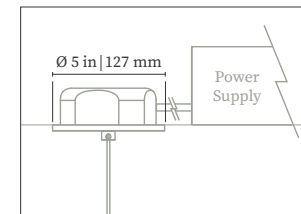


1. Configuration	2. Mounting	3. Pendant Length / Wattage	4. CCT	5. Finish
AXSX Axis X	DMR 5" Canopy	12 12" / 15 W	27 2700 K	01 Satin Brass
AXSP Axis P	Remote Power Supply not included	24 24" / 29 W	30 3000 K	02 Black Oxide
	DMP 5" Canopy	36 36" / 44 W	35 3500 K	03 Satin Nickel
	Remote Power Supply included	48 48" / 59 W	40 4000 K	40 English Bronze
	DML Juniper Power Hub – White	See p. 13 for mounting/ spacing configurations and dimensions for various fixture lengths.		BW Black Walnut
	Power Supply included		NA Natural Ash	
	DMC Juniper Power Hub – Custom		EB Ebony	
	Power Supply included		30 Matte Pure White	
				32 Matte Black
				33 Satin Aluminum
				CU Custom

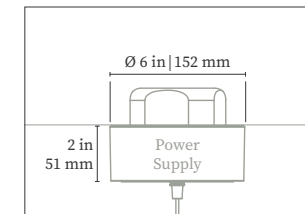
Stock finishes shown.
 See [Finishes](#) for additional options.

POWER FEED OPTIONS

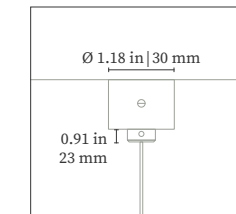
MOUNTING OPTIONS



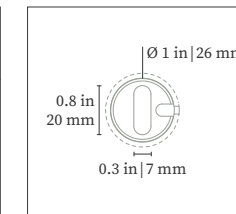
DMR/DMP 5" Canopy
(Remote PSU)



DML/DMC Juniper Power Hub
(Local PSU & Enclosure)



Mini Mount



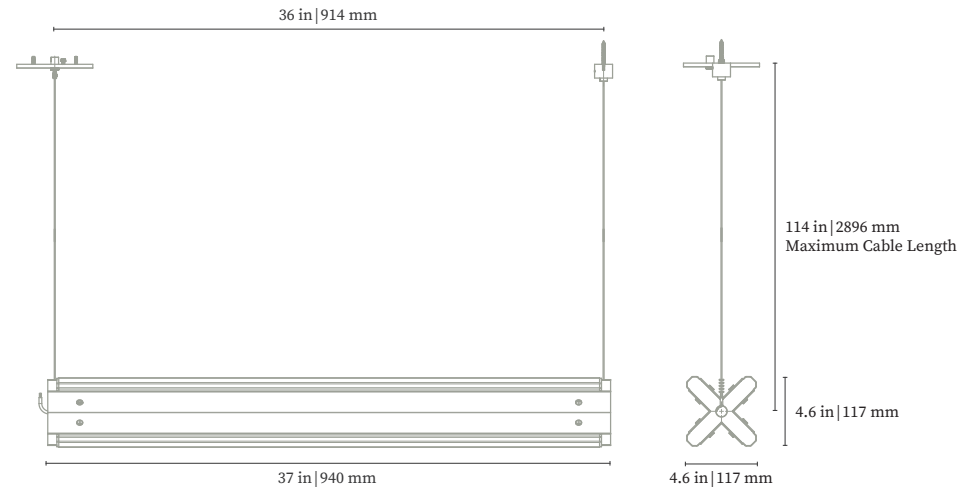
Mounting Bracket

Juniper Power Hub mounting option includes a local power supply. See p. 32–33 for more details. Remote power supply must be specified separately for DMR mounting option (with 5" Canopy). For detailed photometrics, see [Photometric Data](#). IES files available.

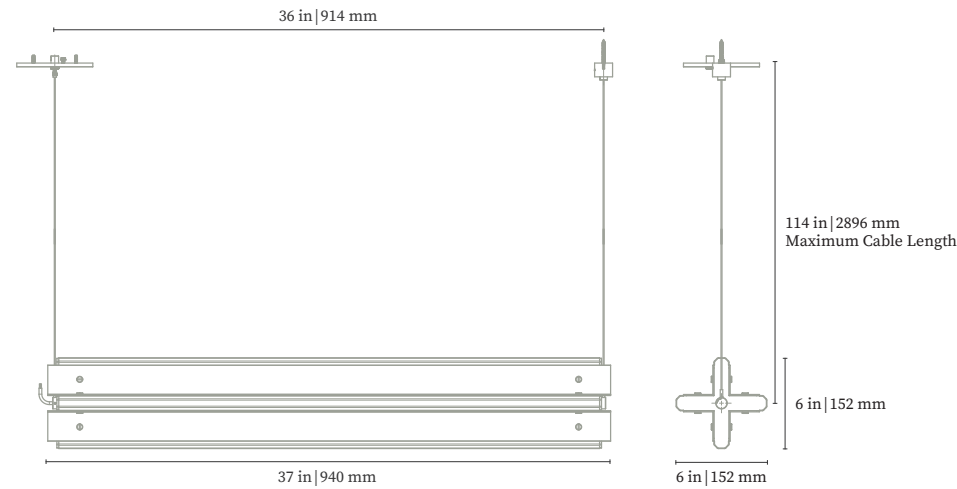


SYSTEM LOGIC

Example (X):
JPR-AXIS-AXSX-XXX-36-XX-XX
 36" nominal

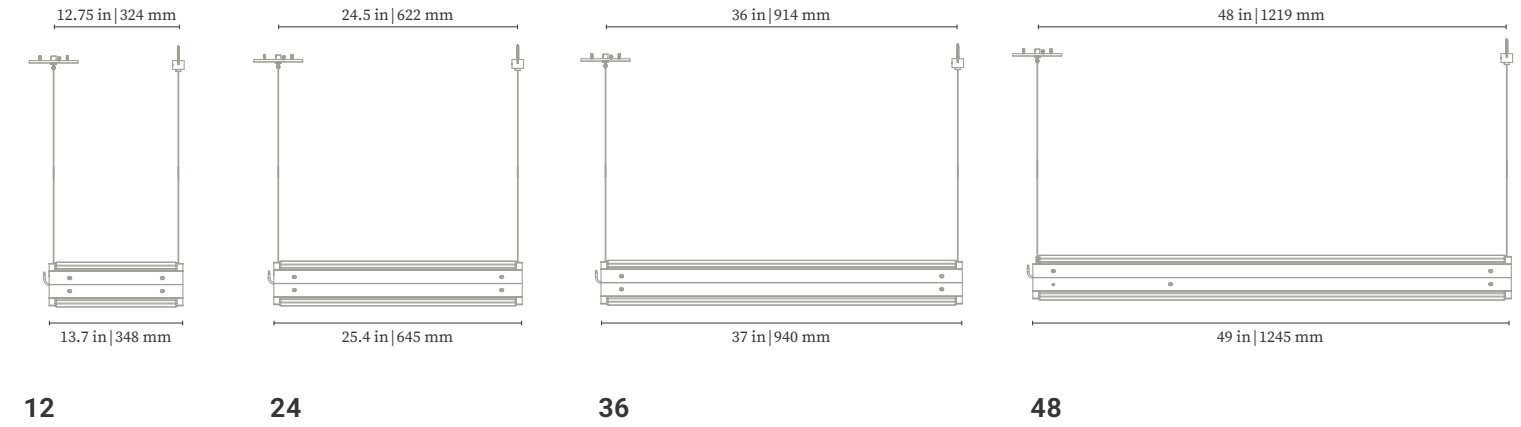


Example (P):
JPR-AXIS-AXSP-XXX-36-XX-XX
 36" nominal

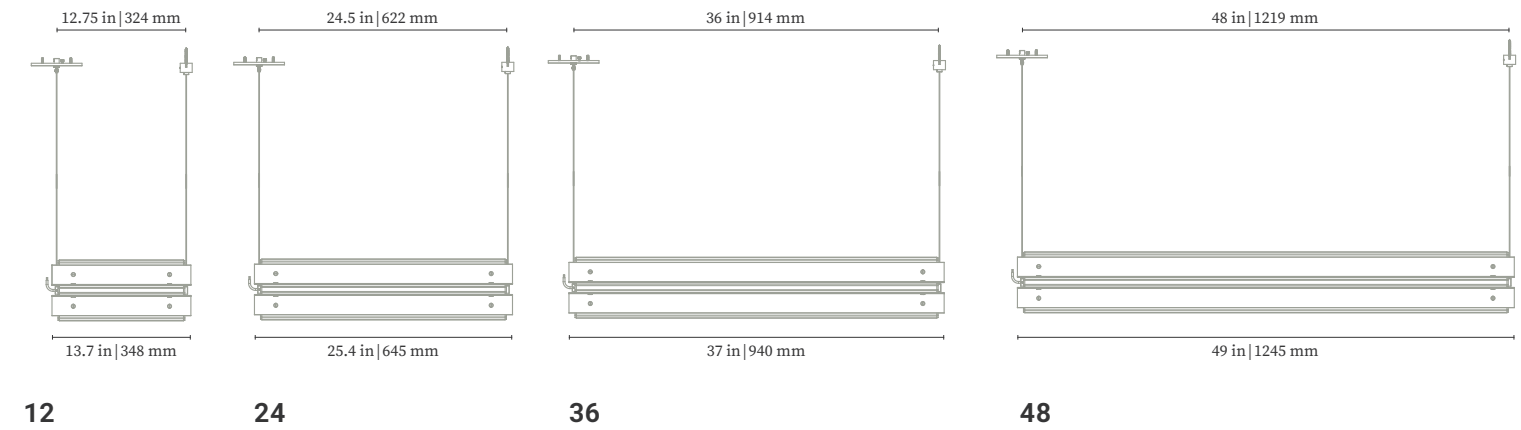


CONFIGURATIONS — DIAGRAMS

Linear Suspensions X



Linear Suspensions P



Length	Weight
12	9.5
24	16.3
36	23
48	30

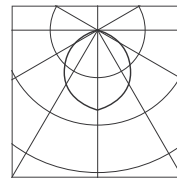


OVERVIEW

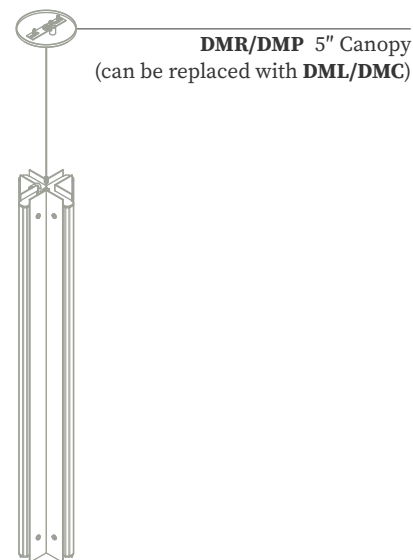


- Linear suspended pendant in 12–48" lengths
- Extruded brass, aluminum, and hardwood finishes radiating from a central channel
- Angled profiles hold perpendicular arrays of light in X or P (Plus) configurations
- 24 VDC output Class 2 constant voltage power supply
- 120–277 VAC input voltage
- Dimming options: Forward Phase (TRIAC), Reverse Phase (ELV), or 0–10 V
- Field-adjustable aircraft cables with clear-jacketed co-axial silver cord
- Adjustable suspension length up to 115"
- Direct-mount to ceiling

- CRI 95+
- R9 90+
- 84 LM/W delivered efficacy
- 1250 LM per linear foot (maximum)
- Faceted acrylic lens with 90° beam spread



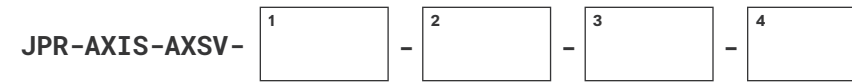
Example:
JPR-AXIS-AXSV-XXX-36-XX-XX
 36" nominal



Maximum cable length is 114 in | 2896 mm.



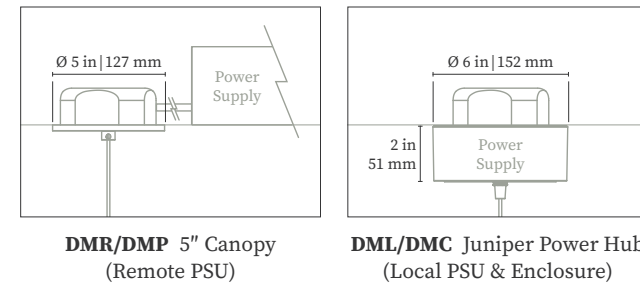
SPECIFICATION BUILDER



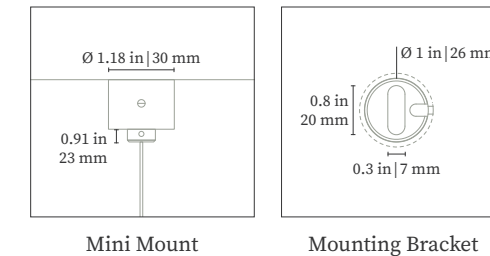
1. Mounting	2. Pendant Length / Wattage	3. CCT	4. Finish
DMR 5" Canopy Remote Power Supply not included	12 12" / 15 W 24 24" / 29 W	27 2700 K 30 3000 K	01 Satin Brass 02 Black Oxide
DMP 5" Canopy Remote Power Supply included	36 36" / 44 W 48 48" / 59 W	35 3500 K 40 4000 K	03 Satin Nickel 40 English Bronze BW Black Walnut NA Natural Ash EB Ebony
DML Juniper Power Hub – White Power Supply included	See p. 17 for mounting/spacing configurations and dimensions for various fixture lengths.		30 Matte Pure White 32 Matte Black 33 Satin Aluminum CU Custom
DMC Juniper Power Hub – Custom Power Supply included			

Stock finishes shown.
 See [Finishes](#) for additional options.

POWER FEED OPTIONS



MOUNTING OPTIONS

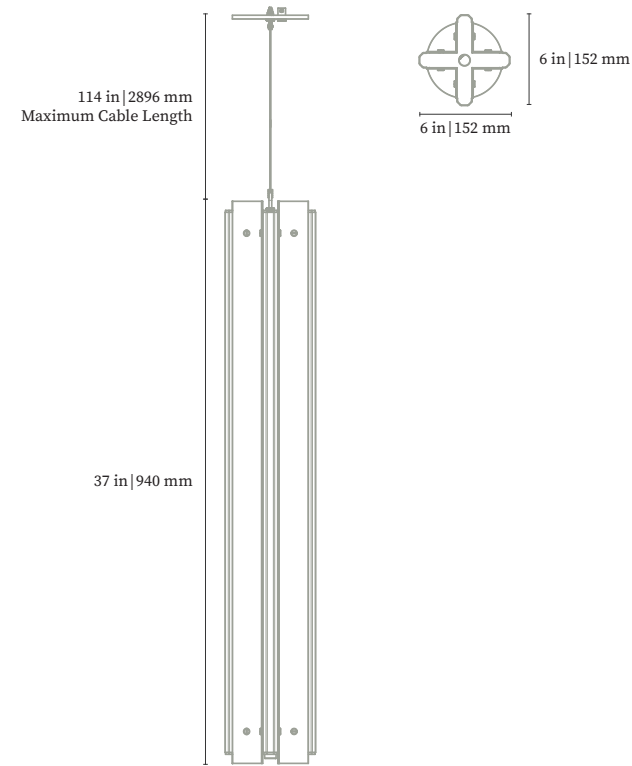


Juniper Power Hub mounting option includes a local power supply. See p. 32–33 for more details. Remote power supply must be specified separately for DMR mounting option (with 5" Canopy). For detailed photometrics, see [Photometric Data](#). IES files available.

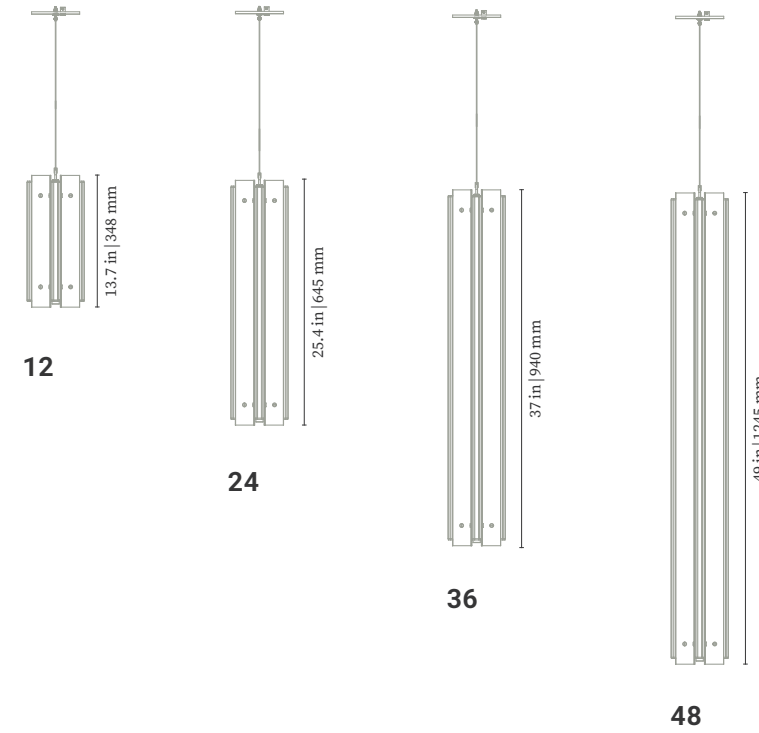


SYSTEM LOGIC

Example:
JPR-AXIS-AXSV-XXX-36-XX-XX
 36" nominal



CONFIGURATIONS — DIAGRAMS



Length	Weight
12	9.5
24	16.3
36	23
48	30

Copyright © 2025



Copyright © 2025

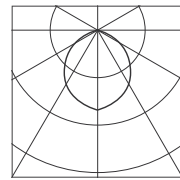
Patent www.juniperdesign.com/patents/

Patent www.juniperdesign.com/patents/

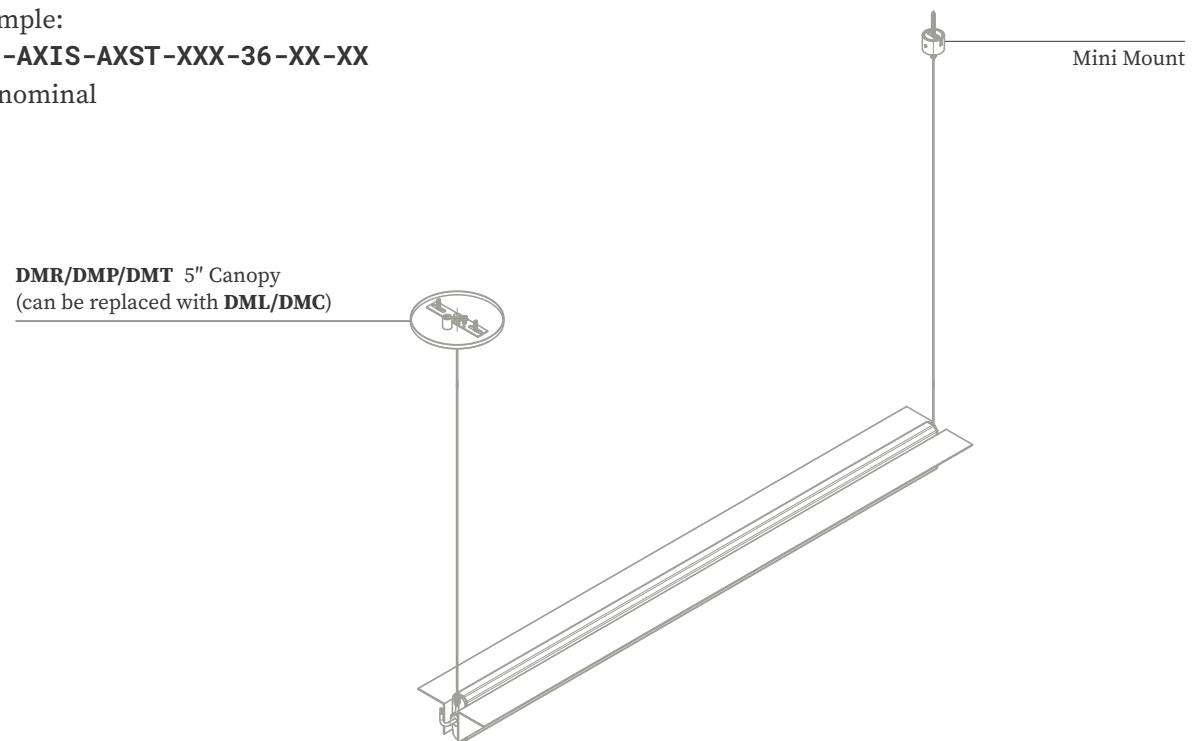
OVERVIEW



- Linear suspended pendant in 12–48" lengths
 - Extruded brass, aluminum, and hardwood finishes radiating from a central channel
 - Dual linear arrays provide optional independent direct and indirect illumination
 - 24 VDC output Class 2 constant voltage power supply
 - 120–277 VAC input voltage
 - Dimming options: Forward Phase (TRIAC), Reverse Phase (ELV), or 0–10 V
 - Field-adjustable aircraft cables with clear-jacketed co-axial silver cord
 - Adjustable suspension length up to 115"
 - Direct-mount to ceiling
-
- CRI 95+
 - R9 90+
 - 84 LM/W delivered efficacy
 - 600 LM per linear foot (maximum)
 - Faceted acrylic lens with 90° beam spread



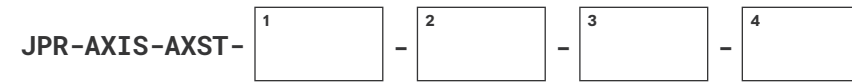
Example:
JPR-AXIS-AXST-XXX-36-XX-XX
 36" nominal



Maximum cable length is 114 in | 2896 mm.



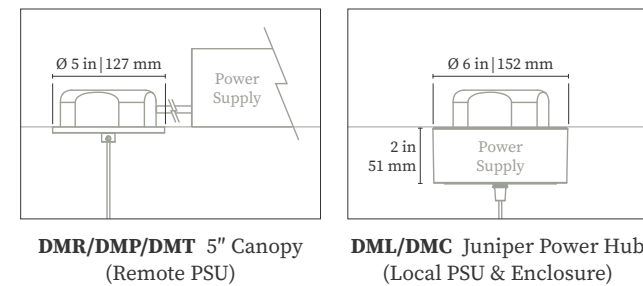
SPECIFICATION BUILDER



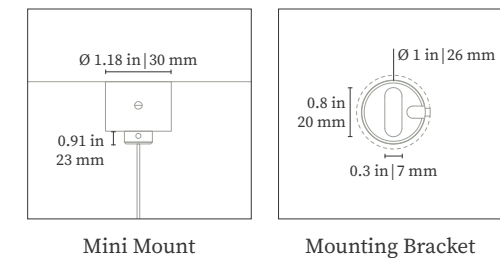
1. Mounting	2. Pendant Length / Wattage	3. CCT	4. Finish
DMR 5" Canopy Remote Power Supply not included	12 12" / 7 W 24 24" / 14 W	27 2700 K 30 3000 K	01 Satin Brass 02 Black Oxide
DMP 5" Canopy Remote Power Supply included	36 36" / 22 W 48 48" / 28 W	35 3500 K 40 4000 K	03 Satin Nickel 40 English Bronze BW Black Walnut NA Natural Ash EB Ebony
DMT 5" Canopy Direct-Indirect Remote Power Supply included	See p. 23 for mounting/spacing configurations and dimensions for various fixture lengths.		30 Matte Pure White 32 Matte Black 33 Satin Aluminum CU Custom
DML Juniper Power Hub – White Power Supply included			
DMC Juniper Power Hub – Custom Power Supply included			

Stock finishes shown.
 See [Finishes](#) for additional options.

POWER FEED OPTIONS



MOUNTING OPTIONS



Juniper Power Hub mounting option includes a local power supply. See p. 32–33 for more details. Remote power supply must be specified separately for DMR mounting option (with 5" Canopy). For detailed photometrics, see [Photometric Data](#). IES files available.

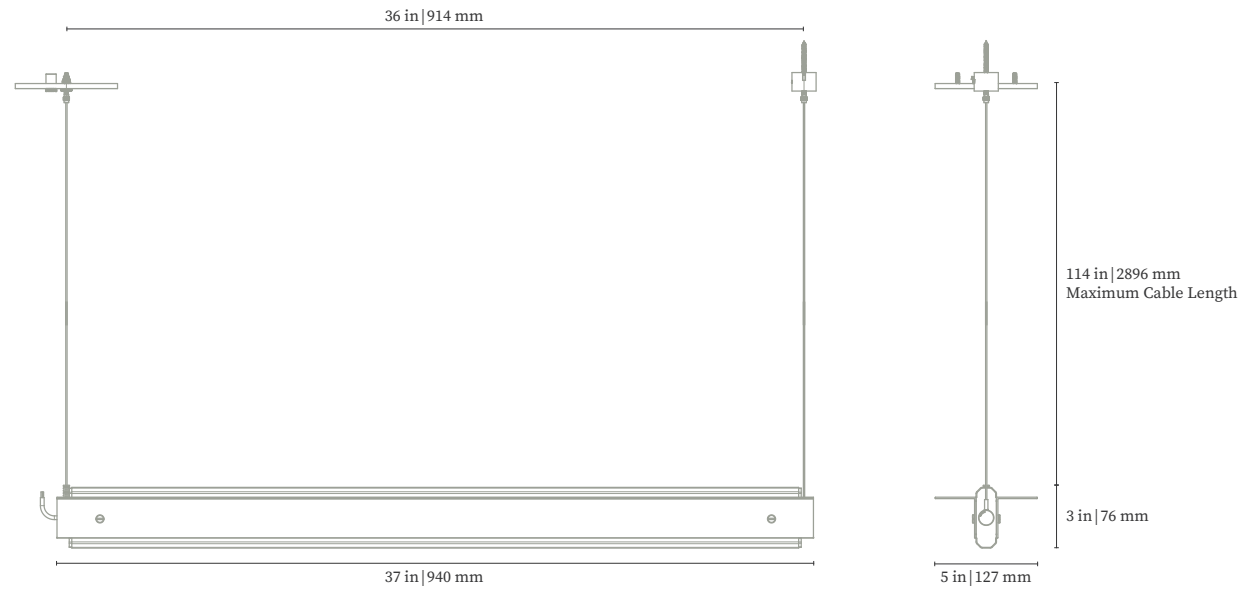


SYSTEM LOGIC

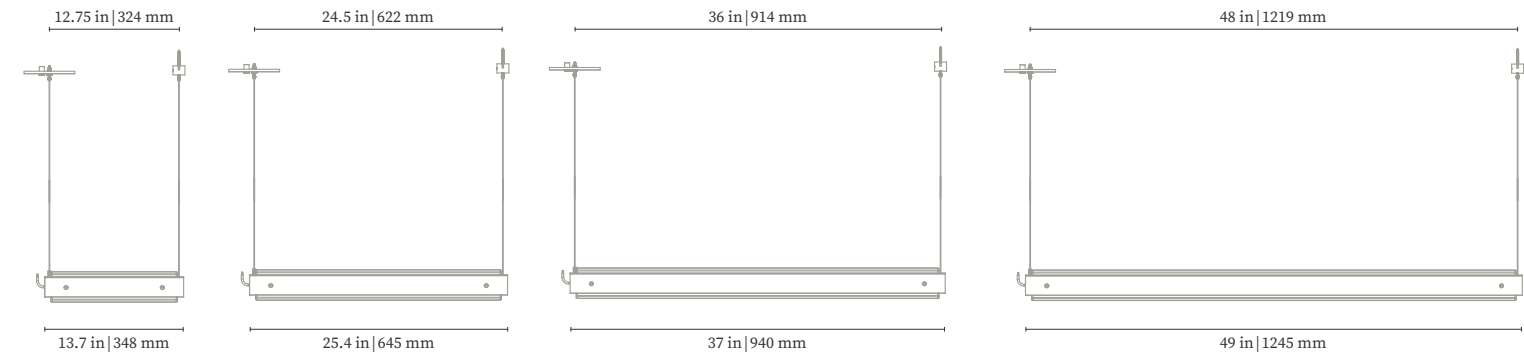
Example:

JPR-AXIS-AXST-XXX-36-XX-XX

36" nominal



CONFIGURATIONS — DIAGRAMS



12

24

36

48

Length	Weight
12	4.3
24	7.2
36	10.5
48	13.6



Patent www.juniperdesign.com/patents/



Patent www.juniperdesign.com/patents/

Objekt: 11/06/2025



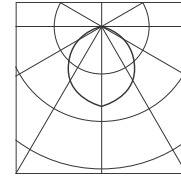
Objekt: 11/06/2025

OVERVIEW



- Linear wall-mounted luminaire in 12–48" lengths
- Extruded brass, aluminum, and hardwood finishes radiating from a central channel
- Central lens channel projects clean, forward illumination into the surrounding space
- 24 VDC Class 2 low-voltage power input
- 120–277 VAC input voltage (with remote power supply)
- Junction box optional for low-voltage installation
- Dimming options: Forward Phase (TRIAC), Reverse Phase (ELV), or 0–0 V
- Direct-mount to wall surface

- CRI 95+
- R9 90+
- 84 LM/W delivered efficacy
- 300 LM per linear foot (maximum)
- Faceted acrylic lens with 90° beam spread



Example:
JPR-AXIS-AXSW-XXX-36-XX-XX
 36" nominal



SPECIFICATION BUILDER

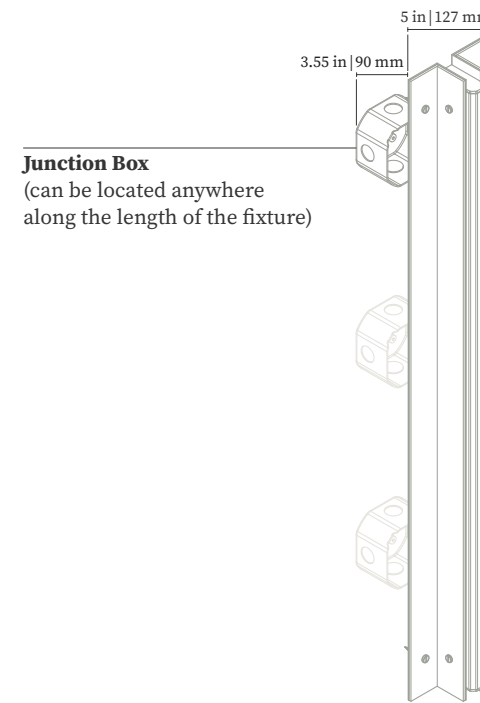
JPR-AXIS-AXSW- - - -

1. Mounting	2. Length / Wattage	3. CCT	4. Finish
SMR Surface Mount Remote Power Supply not included	12 12" / 4 W 24 24" / 7 W	27 2700 K 30 3000 K	01 Satin Brass 02 Black Oxide
SMP Surface Mount Remote Power Supply included	36 36" / 11 W 48 48" / 14 W	35 3500 K 40 4000 K	03 Satin Nickel 40 English Bronze BW Black Walnut NA Natural Ash EB Ebony
SMJ Surface Mount Local Power Supply included			30 Matte Pure White 32 Matte Black 33 Satin Aluminum CU Custom

See p. 29 for mounting/spacing configurations and dimensions for various fixture lengths.

Stock finishes shown.
 See [Finishes](#) for additional options.

MOUNTING OPTION



Junction Box
 (can be located anywhere along the length of the fixture)

Remote Power Supply must be specified separately for SMR mounting option.
 For detailed photometrics, see [Photometric Data](#).
 IES files available.



Patent www.juniperdesign.com/patents/



Patent www.juniperdesign.com/patents/

SYSTEM LOGIC

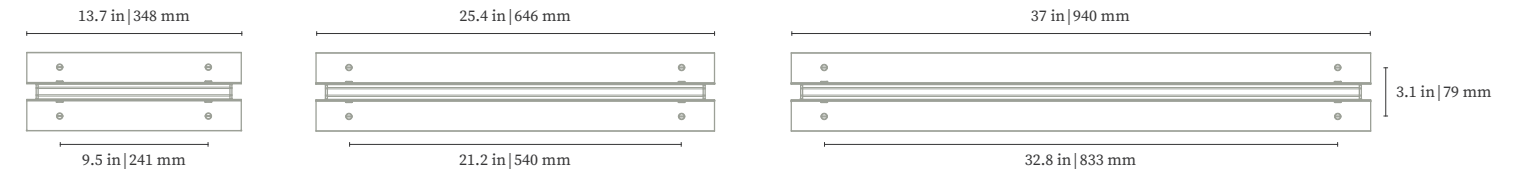
Example:

JPR-AXIS-AXSW-XXX-36-XX-XX

36" nominal



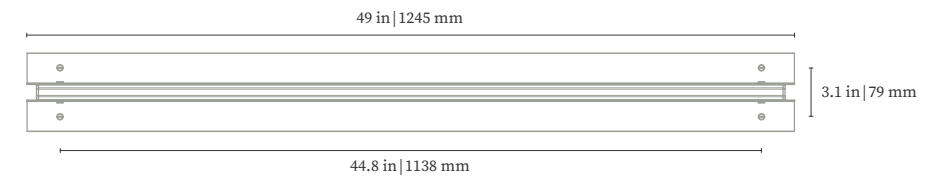
CONFIGURATIONS — DIAGRAMS



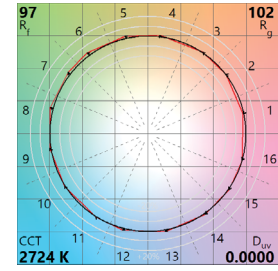
12

24

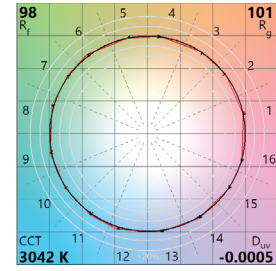
36



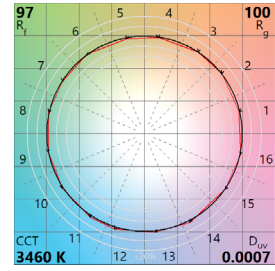
48



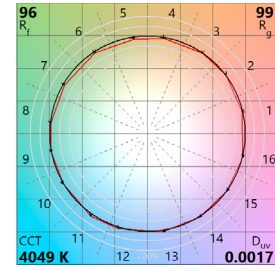
2700 K



3000 K



3500 K



4000 K

OVERVIEW

- The power supplies are 120–277 VAC input, forward-phase, reverse-phase, and 0–10 V dimming to 1% in one package
- UL Listed power supplies are available for remote applications

Item	Wattage	Input Voltage	Dimming	Part Number
<p>Power Supply</p> <p>24 VDC, Triac/ELV/0–10 V 1% or 0.1% Dimming, Remote, UL Listed</p>	15 W	120–277 VAC	Forward-phase, Reverse-phase, 0–10 V	PWR-0145
	30 W	120–277 VAC	Forward-phase, Reverse-phase, 0–10 V	PWR-0141
	30 W	120–277 VAC	Forward-phase, Reverse-phase, 0–10 V	PWR-0127
	60 W			PWR-0128
	96 W	120–277 VAC	Forward-phase, Reverse-phase, 0–10 V	PWR-0129

OVERVIEW

- Juniper Power Hub is 120–277 VAC input, forward-phase, reverse-phase, and 0–10 V dimming to 1% in one package
- Provide local power for wide variety of Juniper luminaires and mount to a typical 4" fixture octagon junction box or mud ring (by others)
- Juniper Power Hub is available in round and linear shapes to match the overall shape of the luminaire
- See Power Supply Spec Sheet for additional info detailed power supply specifications and dimming compatibility
- UL Listed power supplies are available for remote applications*

* Juniper offers a range of power supply solutions to meet various site conditions — please see our [Power Supplies](#) page for alternatives

FINISH EXAMPLES



WT White
Decorative plate provided with fixture



CU Custom
Decorative plate provided with fixture

SPECIFICATION BUILDER

JPR-PWRE - - -

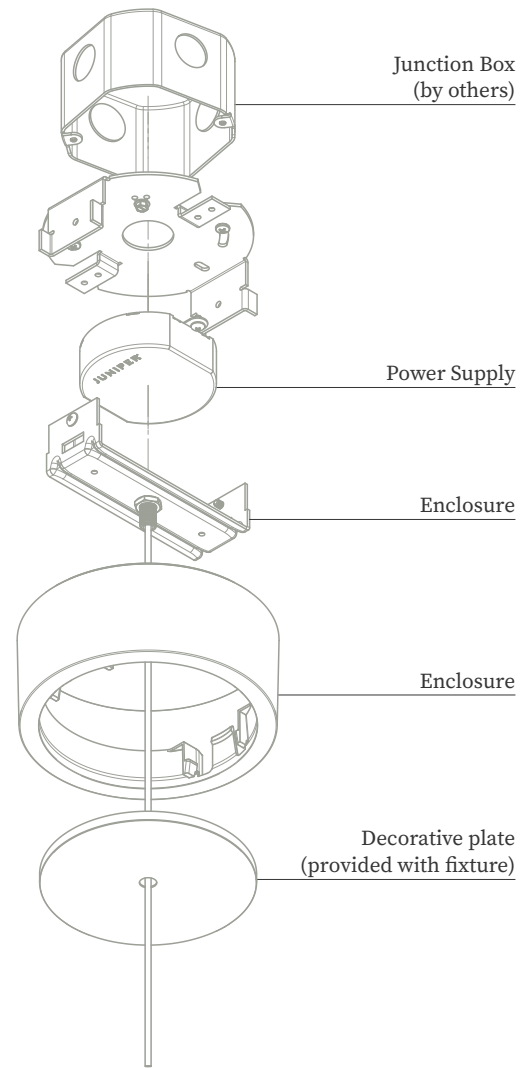
1. Shape and Size	2. Nominal Power Supply Wattage	3. Enclosure Finish
RD06 Round, 6" dia	30 30 W (includes PWR-0137)	WT White
	60 60 W (includes PWR-0138)	CU Custom
	96 96 W (includes PWR-0139)	



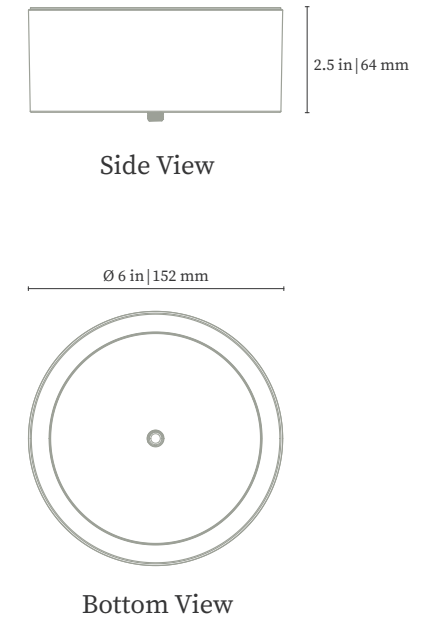
Patent www.juniperdesign.com/patents/

APPLICATION: CEILING

OVERALL DIMENSIONS



Exploded View



SKU	Input Voltage Range	Rated Output Power	Nominal Output Voltage	Max. Output Current	Efficiency	Input Frequency	Min. Power Factor	Dimming Modes	Dimming Range % (CVR)
PWR-0137	Universal (120–277 VAC)	30 W	24 VDC	1.25 A	up to 85% typical	47–63 Hz	0.9	Forward-phase, Reverse-phase, 0–10 V	Dim to Off
PWR-0138		60 W		2.5 A					
PWR-0139		96 W		4.0 A					

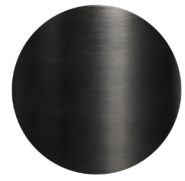


Patent www.juniperdesign.com/patents/

SIGNATURE



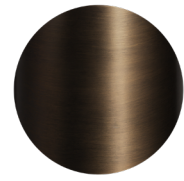
01 Satin Brass



02 Black Oxide



03 Satin Nickel



40 English Bronze



BW Black Walnut

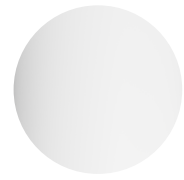


NA Natural Ash



EB Ebony

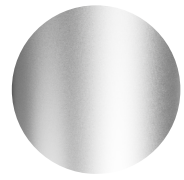
PRO



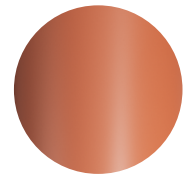
30 Matte Pure White



32 Matte Black



33 Satin Aluminum



CU Custom



01 Satin Brass



02 Black Oxide



03 Satin Nickel



40 English Bronze



BW Black Walnut



NA Natural Ash



EB Ebony



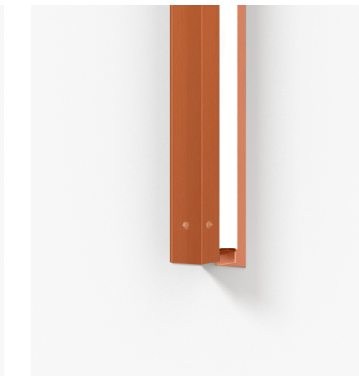
30 Matte Pure White



32 Matte Black



33 Satin Aluminum



CU Custom

Custom Color Options: Finishes may be specified from any standard color system (e.g., RAL, Benjamin Moore, Pantone). Once the order is placed, you will receive an email from our sales team to confirm the desired reference. Lot charges apply.



Patent www.juniperdesign.com/patents/



Patent www.juniperdesign.com/patents/

JUNIPER[®]

JUNIPERDESIGN.COM