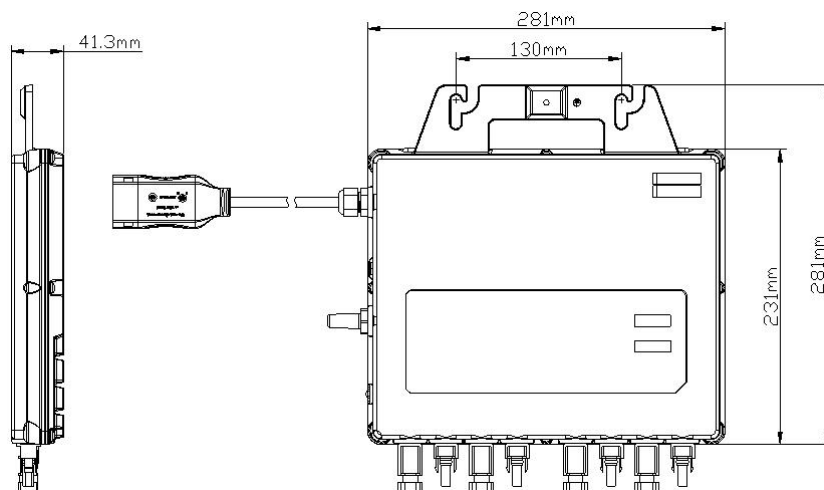


Leading the Industry in  
Solar **Microinverter** Technology

## QS1 Microinverter

- Single unit connects up to four solar modules
- 4 input channels with independent MPPT and monitoring function
- Maximum continuous output power up to 1200W
- Auto disconnection device integrated

### DIMENSIONS



The APsystems QS1 is a grid-tied microinverter with intelligent networking and advanced monitoring systems to ensure maximum efficiency. High efficiency, high reliability of the QS1 with 4 independent MPPT inputs, Maximum AC output power reaching 1200W. Quarter the inverters and quarter the installation means real cost savings for residential and commercial customers.

# QS1200 Microinverter Datasheet

<b>Region</b>	<b>APAC</b>
<b>Model</b>	<b>QS1-LK</b>
<b>Input Data (DC)</b>	
MPPT Voltage Range	22V-48V
Operation Voltage Range	16V-55V
Maximum Input Voltage	60V
Startup Voltage	20V
Maximum Input Current	12A×4
<b>Output Data (AC)</b>	
Maximum Continuous Output Power	1200W
Nominal Output Voltage/Range	230V/195.5-253V
Adjustable Output Voltage Range	160V-278V
Maximum Continuous Output Current	5.22A
Nominal Output Frequency/Range	50Hz/49-51Hz
Adjustable Output Frequency Range	45.1Hz-54.9Hz
Power Factor	>0.99
Total Harmonic Distortion	<3%
<b>Efficiency</b>	
Peak Efficiency	96.5%
Nominal MPPT Efficiency	99.5%
Night Power Consumption	30mW
<b>Mechanical Data</b>	
Operating Ambient Temperature Range	-40°C to +65°C
Storage Temperature Range	-40°C to +85°C
Dimensions (W x H x D)	281mm × 231mm × 41.3mm
Weight	4.5kg
AC BUS Maximum Current	20A
Enclosure Environmental Rating	Outdoor - IP67
Pollution Degree Classification	PD3
Cooling	Natural Convection - No Fans
Operate relative humidity range	4%~100%
Maximum altitude	<2000m
Overvoltage Category	OVC II For PV Input Circuit, OVC III For Mains Circuit
<b>Features &amp; Compliance</b>	
Communication	Wireless
Transformer Design	High Frequency Transformers, Galvanically Isolated
Monitoring	Via EMA* Online Portal
Warranty	10 Years Standard ; 20 Years Optional
<b>Certificate&amp;Compliance</b>	
Grid Connection Compliance	IEC 61727

\*APsystems online Energy Management Analysis (EMA) platform

© All Rights Reserved  
Specifications subject to change without notice  
please ensure you are using the most recent update found at [www.APsistemas.com](http://www.APsistemas.com)

Suite 502, 8 Help Street, Chatswood NSW 2067 Australia |  
61 (0)2-8034-6587 | [APsystems.com](http://APsystems.com)